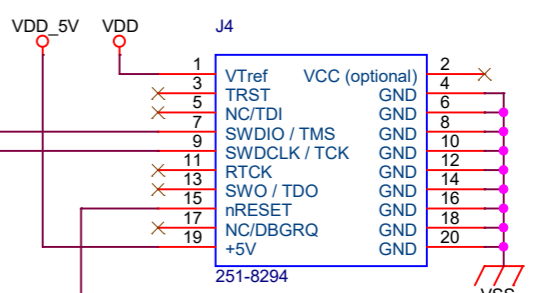
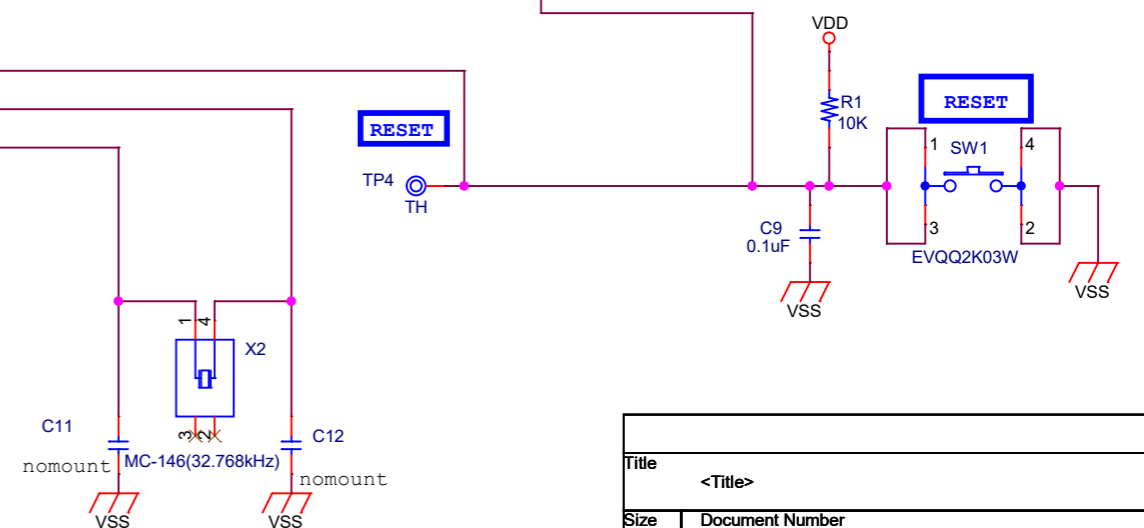
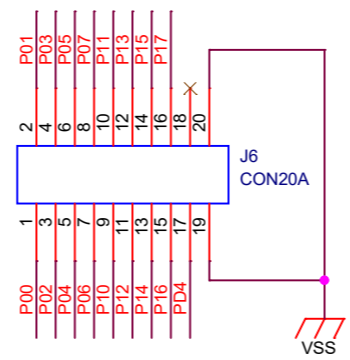
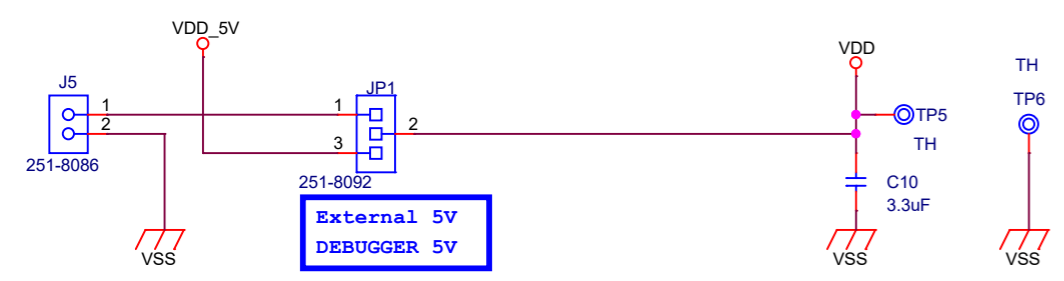


SWD DEBUG I/F



POWER



Title		<Title>
Size	Document Number	Rev
A3	<Doc>	<Rev C>
Date:	Tuesday, October 29, 2019	Sheet 1 of 1