

*Application manual*

**Real Time Clock Module**

**RX8010SJ**

ETM37E-07

Product name	Product number
RX8010SJ	X1B000242000100

---

**NOTICE : PLEASE READ CAREFULLY BELOW BEFORE THE USE OF THIS DOCUMENT**

1. The content of this document is subject to change without notice. Before purchasing or using Epson products, please contact with sales representative of Seiko Epson Corporation ("Epson") for the latest information and be always sure to check the latest information published on Epson's official web sites and resources.
2. This document may not be copied, reproduced, or used for any other purposes, in whole or in part, without Epson's prior consent.
3. Information provided in this document including, but not limited to application circuits, programs and usage, is for reference purpose only. Epson makes no guarantees against any infringements or damages to any third parties' intellectual property rights or any other rights resulting from the information. This document does not grant you any licenses, any intellectual property rights or any other rights with respect to Epson products owned by Epson or any third parties.
4. Using Epson products, you shall be responsible for safe design in your products; that is, your hardware, software, and/or systems shall be designed enough to prevent any critical harm or damages to life, health or property, even if any malfunction or failure might be caused by Epson products. In designing your products with Epson products, please be sure to check and comply with the latest information regarding Epson products (including, but not limited to this document, specifications, data sheets, manuals, and Epson's web site). Using technical contents such as product data, graphic and chart, and technical information, including programs, algorithms and application circuit examples under this document, you shall evaluate your products thoroughly both in stand-alone basis and within your overall systems. You shall be solely responsible for deciding whether to adopt/use Epson products with your products.
5. Epson has prepared this document carefully to be accurate and dependable, but Epson does not guarantee that the information is always accurate and complete. Epson assumes no responsibility for any damages you incurred due to any misinformation in this document.
6. No dismantling, analysis, reverse engineering, modification, alteration, adaptation, reproduction, etc., of Epson products is allowed.
7. Epson products have been designed, developed and manufactured to be used in general electronic applications and specifically designated applications ("Anticipated Purpose"). Epson products are NOT intended for any use beyond the Anticipated Purpose that requires particular quality or extremely high reliability in order to refrain from causing any malfunction or failure leading to critical harm to life and health, serious property damage, or severe impact on society, including, but not limited to listed below ("Specific Purpose"). Therefore, you are strongly advised to use Epson products only for the Anticipated Purpose. Should you desire to purchase and use Epson products for Specific Purpose, Epson makes no warranty and disclaims with respect to Epson products, whether express or implied, including without limitation any implied warranty of merchantability or fitness for any Specific Purpose. Please be sure to contact our sales representative in advance, if you desire Epson products for Specific Purpose: Space equipment (artificial satellites, rockets, etc.) / Transportation vehicles and their control equipment (automobiles, aircraft, trains, ships, etc.) / Medical equipment / Relay equipment to be placed on sea floor / Power station control equipment / Disaster or crime prevention equipment / Traffic control equipment / Financial equipment Other applications requiring similar levels of reliability as the above
8. Epson products listed in this document and our associated technologies shall not be used in any equipment or systems that laws and regulations in Japan or any other countries prohibit to manufacture, use or sell. Furthermore, Epson products and our associated technologies shall not be used for the purposes of military weapons development (e.g. mass destruction weapons), military use, or any other military applications. If exporting Epson products or our associated technologies, please be sure to comply with the Foreign Exchange and Foreign Trade Control Act in Japan, Export Administration Regulations in the U.S.A (EAR) and other export-related laws and regulations in Japan and any other countries and to follow their required procedures.
9. Epson assumes no responsibility for any damages (whether direct or indirect) caused by or in relation with your non-compliance with the terms and conditions in this document or for any damages (whether direct or indirect) incurred by any third party that you give, transfer or assign Epson products.
10. For more details or other concerns about this document, please contact our sales representative.
11. Company names and product names listed in this document are trademarks or registered trademarks of their respective companies.

©Seiko Epson Corporation 2021. All rights reserved.

## ETM37E Revision History

Rev No.	Date	Page	Description
01	14.Jul.2013		Release
02	06.Sep.2013	28	Corrected a setting data of Flow chart Ex2
03	13.Sep.2013	1	Changed a 1. Overview.
		5	Deleted contents of a 8.1 DC characteristics.
		5	Corrected a fCLK to fSCL.
		6	Changed a comment of 8.2.1. AC characteristics.
		7	Deleted a comment of "Target spec"
		7	Deleted a software command of TS sample.
		20,21	Corrected a 13.3. Alarm interrupt Function.
		28	Corrected a setting data of Flow chart Ex2
04	06.Nov.2013	4	Corrected an Item of 7. Frequency Characteristics
		6	Corrected a caution of 8.2.1. AC characteristics(1)
05	13.Dec.2013	12	Changed a 12.2. Register table
		34	Corrected a 13.8.7. The example of the communication wave pattern
06	25.Sep.2014	7,26	Corrected a power-on reset procedure by the software command.
07	17.Dec.2021	1	Notice was added. <a href="#">Notice.</a>
		8	DC characteristics was updated. 1: SDA was added to VOL1 and VOL2. 2: VOL6 was added. <a href="#">DC characteristics.</a>
		30, 31	Digital offset function is available. <a href="#">Digital offset.</a>
		41	Contact was updated <a href="#">Contacts</a>
		all	Index link was added to all footer

## Table of contents

Notice .....	1
Revision History .....	2
Table of contents .....	3
1. Overview.....	5
2. Block Diagram .....	5
3. Terminal description.....	6
4. External Dimensions .....	7
5. Absolute Maximum Ratings .....	8
6. Recommended Operating Conditions .....	8
7. Frequency Characteristics .....	8
8. Electrical Characteristics.....	9
8.1.DC characteristics.....	9
8.1.1.DC characteristics(1).....	9
8.2.AC characteristics.....	10
8.2.1.AC characteristics(1).....	10
8.2.2. AC characteristics (2).....	10
9. Note of usage in power On / Off.....	11
10. Reference information.....	13
11. Application notes.....	14
12.Overview of Functions and Description of Registers .....	15
12.1. Overview of Functions .....	15
8) Digital offset function .....	15
Digital offset function .....	15
12.2. Register table.....	16
12.3. Description of registers .....	17
12.3.1. Clock and calendar counter.....	17
12.3.2. RAM registers.....	17
12.3.3. Alarm registers .....	17
12.3.4. Wakeup Timer setting and Timer counter register.....	17
12.3.5. Function-related register 1.....	17
12.3.6. Function-related register 2.....	18
12.3.7. Reserved bit .....	18
13. How to use.....	19
13.1. Clock calendar explanation.....	19
13.1.1. Clock counter.....	19
13.1.2. Week counter .....	19
13.1.3. Calendar counter.....	19
13.2. Wakeup Timer Interrupt Function .....	20
13.2.1. Related registers for function of wakeup timer interrupt function.....	20
13.2.2. Wakeup timer start timing.....	22
13.2.3. Wakeup timer interrupt interval (example).....	22
13.2.4. Diagram of wakeup timer interrupt function .....	23
13.3. Alarm Interrupt Function .....	24
13.3.1. Related registers for Alarm interrupt functions.....	24
13.3.2. Examples of alarm settings .....	25
13.3.3. Diagram of alarm interrupt function .....	26
13.4. Time Update Interrupt Function .....	27

---

13.4.1. Related registers for time update interrupt functions. ....	27
13.4.2. Time update interrupt function diagram .....	28
13.5. Frequency stop detection function .....	29
13.6. FOUT function .....	29
13.6.1. FOUT control register. ....	29
13.6.2. FOUT function table. ....	29
13.7. Digital offset function .....	30
13.7.1. Digital offset register .....	30
13.7.2. An effect to the other function, when used a digital offset function .....	31
14. Flow-chart .....	32
15. The I <sup>2</sup> C-Bus Interface.....	37
15.1. Overview of I <sup>2</sup> C-Bus.....	37
15.2. Data transfers .....	37
15.3. Start and stop of I <sup>2</sup> C-Bus communications .....	37
15.4. Slave address .....	37
15.5. System configuration .....	38
15.6. I <sup>2</sup> C-Bus protocol.....	39
15.7. The example of the communication wave pattern.....	40
Contacts .....	41

# Low current consumption SERIAL-INTERFACE REAL TIME CLOCK MODULE RX8010 SJ

- Built in frequency adjusted 32.768-kHz crystal unit.
- Real-time clock function : Clock/calendar function, Wakeup timer function, alarm interrupt function, etc.
- User RAM : Built in 128 bit RAM
- Frequency output function : 32.768 kHz, 1024 Hz, 1Hz
- Digital offset function : Adjustment range is -195.3 ~ +192.3 (10<sup>-6</sup>)
- Interface type : I<sup>2</sup>C-Bus
- Interface voltage range : 1.6 V ~ 5.5 V
- Timekeeper voltage range : 1.1 V ~ 5.5 V
- Backup current consumption : 160 nA<sub>Typ.</sub> / 3 V

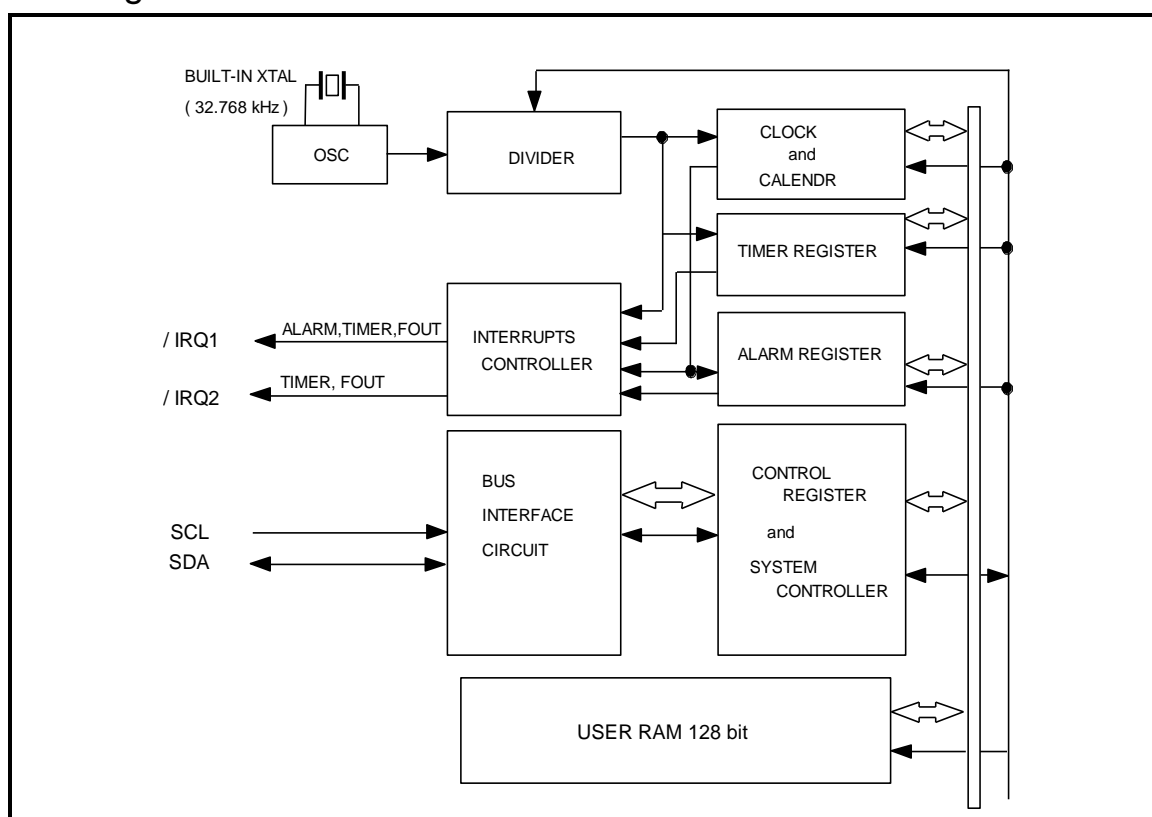
## 1. Overview

This is a real-time clock module of the serial interface system that incorporates a 32.768 kHz crystal oscillator.

The real-time clock function incorporates not only a calendar and clock counter for the year, month, day, day of the week, hour, minute, and second, but also a time alarm, interval timer, and time update interruption, among other features.

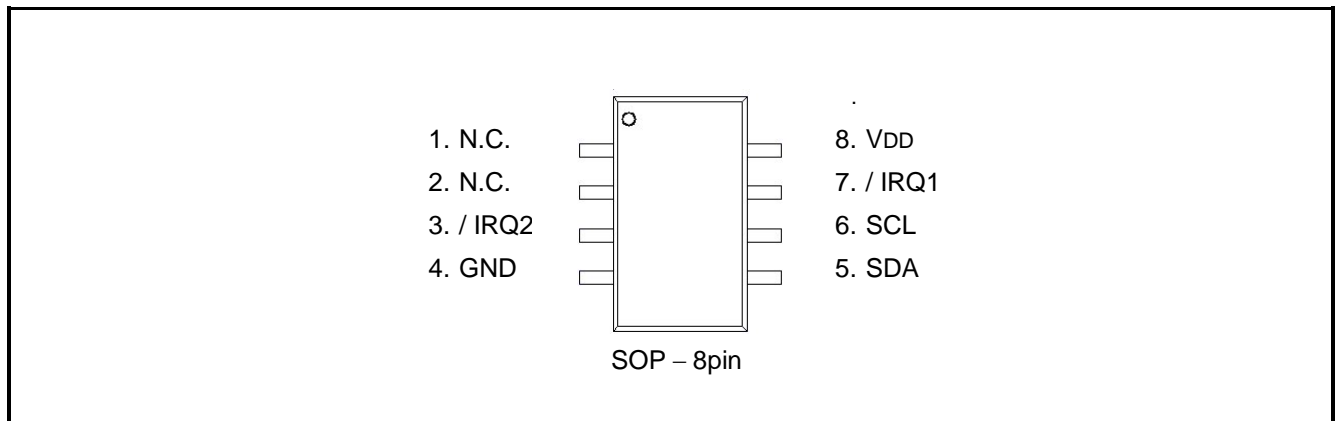
All of these many functions are implemented in a thin, compact SOP package, which makes it suitable for various kinds of small electronic devices.

## 2. Block Diagram



### 3. Terminal description

#### 3.1. Terminal connections



#### 3.2. Pin Functions

Signal name	I / O	Function
SCL	Input	This is a shift clock input pin for serial data transmission.
SDA	Input / Output	This is the data input/output pin for serial data transfer.
/IRQ1	Output	This pin outputs interrupt signals ("L" level) for alarm, timer, time update, and FOUT. This is an N-ch open-drain output.
/IRQ2	Output	This pin outputs interrupt signals ("L" level) for timer and FOUT. This is a C-MOS output.
VDD	Supply	This is a power-supply pin.
GND	Supply	This pin is connected to a ground.

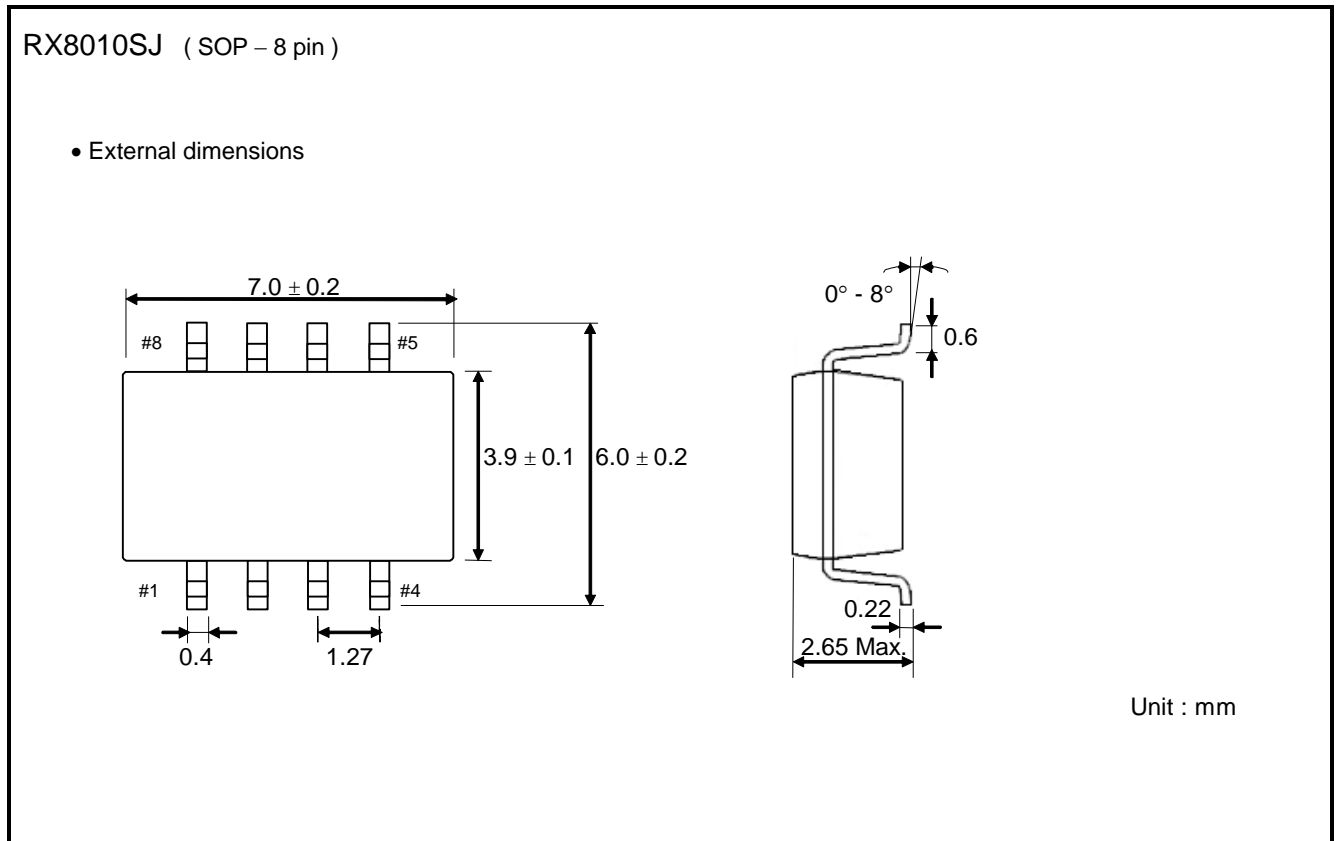
Note: Input pins are able to input up to 5.5V regardless of VDD applied voltage.

Note: Open drain pins are able to Pull-up to 5.5V regardless of VDD applied voltage.

Note: Connect a bypass capacitor rated at least 0.1μF between power supply pins and GND pin.

## 4. External Dimensions

## 4.1. External Dimensions





## 5. Absolute Maximum Ratings

GND = 0 V

Item	Symbol	Condition	Rating	Unit
Supply voltage	V <sub>DD</sub>	Between V <sub>DD</sub> and GND	-0.3 ~ +6.5	V
Input voltage	V <sub>IN</sub>	SCL, SDA	-0.3 ~ +6.5	V
Output voltage 1	V <sub>OUT1</sub>	/IRQ2	-0.3 ~ V <sub>DD</sub> +0.3	V
Output voltage 2	V <sub>OUT2</sub>	SDA, /IRQ1	-0.3 ~ +6.5	V
Storage temperature	T <sub>STG</sub>	When stored separately, without packaging	-55 to +125	°C

## 6. Recommended Operating

\*Unless otherwise specified, GND = 0 V, Ta = -40 °C to +85 °C

Item	Symbol	Condition	Min.	Typ.	Max.	Unit
Operating supply voltage	V <sub>ACC</sub>	-	1.6	3.0	5.5	V
Clock supply voltage	V <sub>CLK</sub>	-	1.1	3.0	5.5	V
Low voltage detection	V <sub>LOW</sub>	-			1.10	V
Applied voltage when OFF	V <sub>PUP</sub>	SDA, /IRQ1pin			5.5	V
Operating temperature	T <sub>OPR</sub>	No condensation	-40	+25	+85	°C

\*Minimum value of Clock supply voltage V<sub>CLK</sub> is the timekeeping continuation lower limit value that initialized RX8010 in operating supply voltage V<sub>ACC</sub>.

## 7. Frequency Characteristics

\*Unless otherwise specified, GND = 0 V, Ta = -40 °C to +85 °C

Item	Symbol	Condition	Min.	Typ.	Max.	Unit
Output frequency	f <sub>o</sub>			32.768 <sup>(Typ.)</sup>		kHz
Frequency stability	$\Delta f / f$	Ta = +25 °C V <sub>DD</sub> = 3.0 V		5 ± 23 <sup>(*1)</sup>		× 10 <sup>-6</sup>
Frequency/voltage characteristics	f / V	Ta = +25 °C V <sub>DD</sub> = 1.2 V ~ 5.5 V	-2		+2	× 10 <sup>-6</sup> / V
Frequency/temperature characteristics	T <sub>op</sub>	Ta = -20 °C ~ +70 °C V <sub>DD</sub> = 3.0 V ; +25 °C reference	-120		+10	× 10 <sup>-6</sup>
Oscillation start time	t <sub>STA</sub>	Ta = ±0 °C ~ +50 °C V <sub>DD</sub> = 1.6 V ~ 5.5 V			1.0	s
		Ta = -40 °C ~ +85 °C V <sub>DD</sub> = 1.6 V ~ 5.5 V			3.0	s
Aging	f <sub>a</sub>	Ta = +25 °C, V <sub>DD</sub> = 3.0 V ; first year	-5		+5	× 10 <sup>-6</sup> / year

\*1) The monthly error is equal to one minute. ( excluding offset )

## 8. Electrical Characteristics

### 8.1.DC characteristics

\*Unless otherwise specified, GND = 0 V , Ta = -40 °C to +85 °C

#### 8.1.1.DC characteristics(1)

\*Unless otherwise specified, GND = 0 V , VDD = 1.6 V ~ 5.5 V , Ta = -40°C ~ +85°C

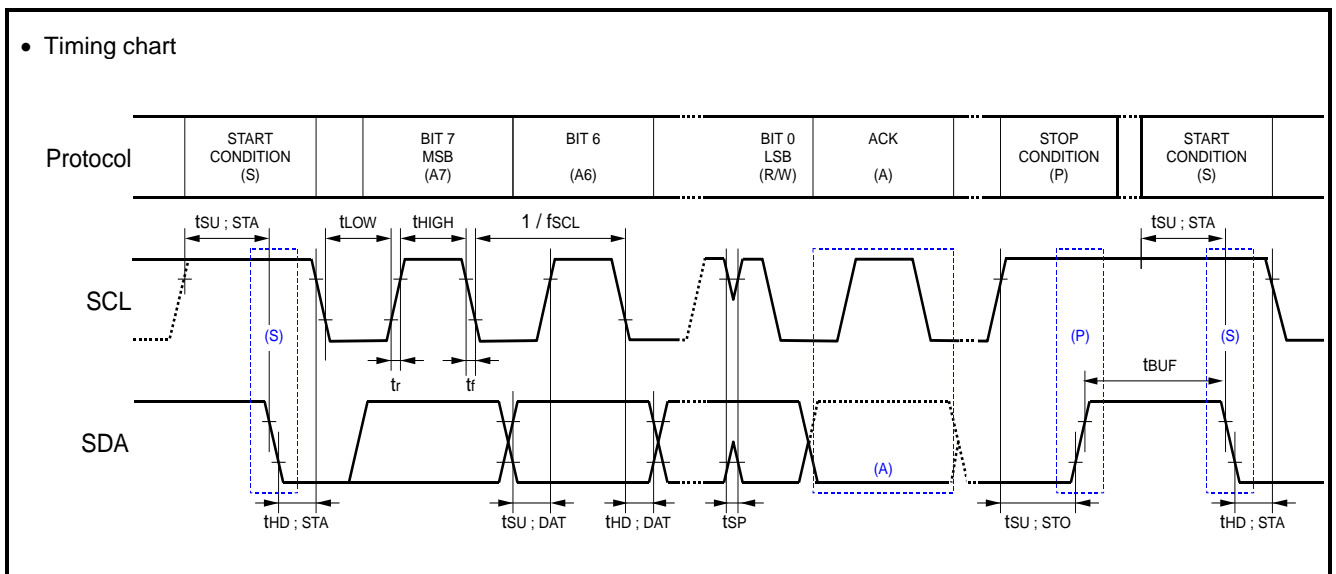
Item	Symbol	Condition		Min.	Typ.	Max.	Unit
Current consumption (1)	IDD1	Input pins are "L" fSCL = 0 Hz, /IRQ1,2 = OFF TSEL2="1"	VDD = 5 V			350	nA
Current consumption (2)	IDD2		VDD = 3 V		160	320	nA
Current consumption (3)	IDD3	fSCL = 0 Hz, /IRQ2 = OFF, /IRQ1 : 32.768 kHz ON	VDD = 5 V		0.60	1.10	μA
Current consumption (4)	IDD4		VDD = 3 V		0.52	0.90	
Current consumption (5)	IDD5	fSCL = 0 Hz, /IRQ1 = OFF, /IRQ2 : 1024 Hz ON , CL = 15 pF	VDD = 5 V		0.45	1.10	μA
Current consumption (6)	IDD6		VDD = 3 V		0.40	0.90	
High-level input voltage	VIH	SCL, SDA		0.8 × VDD		5.5	V
Low-level input voltage	VIL	SCL, SDA		GND - 0.3		0.2 × VDD	V
High-level output voltage	VOH1	/IRQ2 pin	VDD=5 V, IOH=-1 mA	4.5		GND +5.0	V
	VOH2		VDD =3 V, IOH=-0.5 mA	2.7		GND +3.0	
Low-level output voltage	VOL1	SDA, /IRQ2 pin	VDD =5 V, IOL=1 mA	GND		GND +0.5	V
	VOL2		VDD =3 V, IOL=0.5 mA	GND		GND +0.3	
	VOL4	/IRQ1 pin	VDD =5 V, IOL=1 mA	GND		GND +0.25	V
	VOL5		VDD =3 V, IOL=1 mA	GND		GND +0.4	
	VOL6	SDA pin	VDD ≥ 2 V, IOL=3.0 mA	GND		GND +0.4	V
Input leakage current	ILK	Input pin, VIN = VDD or GND		-0.1		0.1	μA
Output leakage current	IOZ	Output pin, VOUT = VDD or GND		-0.1		0.1	μA

## 8.2.AC characteristics

## 8.2.1.AC characteristics(1)

\*Unless otherwise specified, GND = 0 V, V<sub>DD</sub> = 1.6 V ~ 5.5 V, Ta = -40°C ~ +85°C

Item	Symbol	Standard-Mode f <sub>SCL</sub> =100 kHz		Fast-Mode f <sub>SCL</sub> =400 kHz		Unit
		Min.	Max.	Min.	Max.	
SCL clock frequency	f <sub>SCL</sub>		100		400	kHz
Start condition setup time	t <sub>SU;STA</sub>	4.7		0.6		μs
Start condition hold time	t <sub>HD;STA</sub>	4.0		0.6		μs
Data setup time	t <sub>SU;DAT</sub>	250		100		ns
Data hold time	t <sub>HD;DAT</sub>	0		0		ns
Stop condition setup time	t <sub>SU;STO</sub>	4.0		0.6		μs
Bus idle time between start condition and stop condition	t <sub>BUF</sub>	4.7		1.3		μs
Time when SCL = "L"	t <sub>LOW</sub>	4.7		1.3		μs
Time when SCL = "H"	t <sub>HIGH</sub>	4.0		0.6		μs
Rise time for SCL and SDA	t <sub>r</sub>		1.0		0.3	μs
Fall time for SCL and SDA	t <sub>f</sub>		0.3		0.3	μs
Allowable spike time on bus	t <sub>SP</sub>		50		50	ns



Caution: When communication of I<sup>2</sup>C-Bus is started, consumption electric currents increase.

When accessing this device, all communication from transmitting the start condition to transmitting the stop condition after access should be completed within 0.95 seconds.

If such communication requires 1 seconds or longer, the I<sup>2</sup>C-Bus interface is reset by the internal bus timeout function.

## 8.2.2. AC characteristics (2)

\*Unless otherwise specified, GND = 0 V, V<sub>DD</sub> = 1.6 V ~ 5.5 V, Ta = -40°C ~ +85°C

Item	Symbol	Condition	Min.	Typ.	Max.	Unit
FOUT symmetry (/IRQ2)	SYM	50% V <sub>DD</sub> Level	40	50	60	%

## 9. Note of usage in power On / Off.

### 9.1. Instructions in the power on

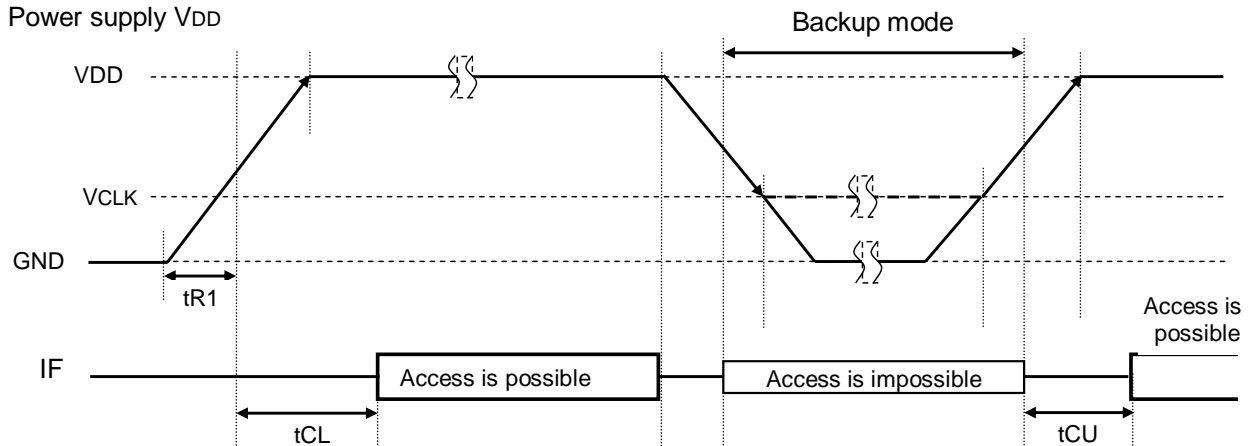
#### 9.1.1. Characteristic for the fluctuation of the power supply

\*tR1 is restrictions to validate power-on reset. When cannot keep this standard, power-on reset does not work normally. It is necessary to initial setting by the software command.

Repeated ON/OFF of the power supply in short term, the power-on reset becomes unstable.

After power-OFF, keep a state of VDD=GND more than 60 seconds to validate power-on reset.

When it is impossible, please perform initial setting by the software command.



Item	Symbol	Condition	Min.	Typ.	Max.	Unit
Power supply rise time	tR1	GND – VDD	1	-	100	μs / V
access wait time (Initial power on)	tCL	-	40	-	-	ms
access wait time (Normal power on)	tCU	-	40	-	-	ms

#### A power-on reset procedure by the software command

- 1) Power- on
- 2) Wait: At least 40ms.
- 3) Dummy read. \*1
- 4) Check VLF bit = "1"
- 5) Write 00h Address:Reg-1Fh
- 6) Write 80h Address:Reg-1Fh
- 7) Write D3h Address:Reg-60h
- 8) Write 03h Address:Reg-66h
- 9) Write 02h Address:Reg-6Bh
- 10) Write 01h Address:Reg-6Bh
- END

\*1 Dummy read  
The location of the address is arbitrary.  
Do not check ACK/NACK from RX8010.

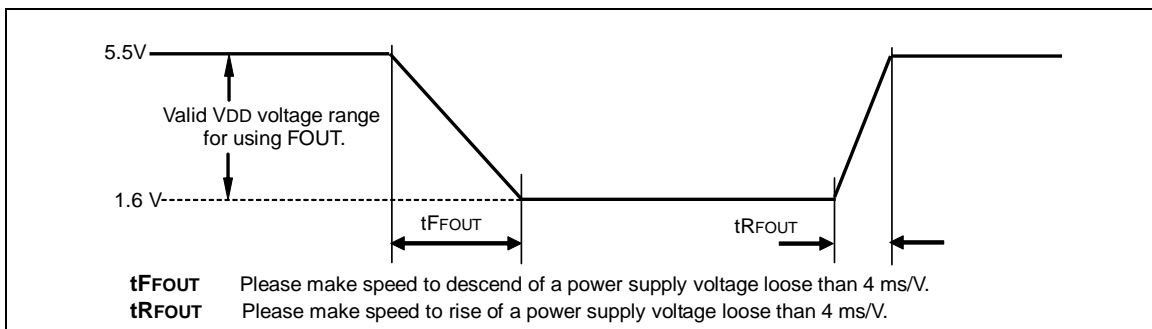
#### A disappearance of the FOUT output when the voltage sharply went up and down.

For example, VDD voltage of the RX8010 is come and go between Main power and backup battery.

The clock output from output pins disappears then during several milli-seconds when a sharp voltage change happens.

Please check that there is not a problem by this characteristic on your system.

An reference example of a power up and down timing without affect to FOUT.



## 9.2. Restrictions on Access Operations during Power-on Initialization and Recovery from Backup

- RTC-register operations are linked to the internal quartz oscillator's clock signal, so normal operation is not possible if there is no internal oscillation (= oscillation is stopped).

Therefore, we recommend that the initial setting to be set during power-on initialization or backup and restore operations (i.e., when the power supply voltage is recovered after oscillation has stopped due to a voltage drop, etc.) should be "first start internal oscillation, then wait for the oscillation stabilization time (see  $t_{STA}$  standard) to elapse".

- Note the following caution points concerning access operations during power-on initialization or when restoring the power supply voltage from backup mode (here after referred to as "switching to the operating voltage").

1) Before switching to the operating voltage, read the VLF-bit (which indicates the RTC error status).

2) Initialization is required when the value read from the VLF-bit is "VLF = 1 (error status)".

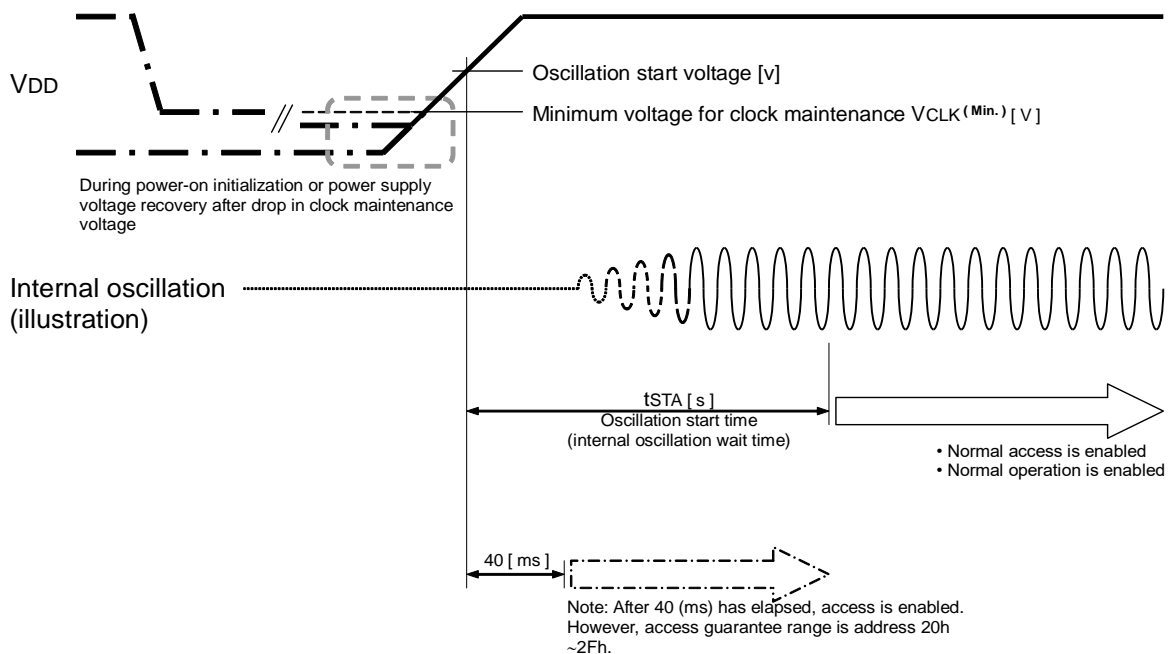
Before initializing in response to this VLF = "1" result, we recommend first waiting for the internal oscillation stabilization time (see the  $t_{STA}$  standard) to elapse.

Initialization is required when the status after reading a VLF-bit value of "1" is either of the following.

(Status 1) During power-on initialization

(Status 2) When the clock setting is invalid, such as due to a voltage drop during backup

\* Access timing during power-on initialization and when recovering the power supply voltage after a drop in the voltage used to maintain the clock



## 10. Reference information

### 10.1. Reference Data

(1) Example of frequency and temperature characteristics

$\theta T = +25 \text{ }^\circ\text{C Typ.}$   
 $\alpha = -0.035 \times 10^{-6} \text{ Typ.}$

[ Finding the frequency stability ]

- Frequency and temperature characteristics can be approximated using the following equations.  

$$\Delta f_T = \alpha (\theta T - \theta X)^2$$
  - $\Delta f_T$  : Frequency deviation in any temperature
  - $\alpha [ 1 / \text{ }^\circ\text{C}^2 ]$  : Coefficient of secondary temperature  
 $( -0.035 \pm 0.005 ) \times 10^{-6} / \text{ }^\circ\text{C}^2$
  - $\theta T [ \text{ }^\circ\text{C} ]$  : Ultimate temperature (  $+25 \pm 5 \text{ }^\circ\text{C}$  )
  - $\theta X [ \text{ }^\circ\text{C} ]$  : Any temperature
- To determine overall clock accuracy, add the frequency precision and voltage characteristics.  

$$\Delta f/f = \Delta f/f_0 + \Delta f_T + \Delta f_V$$
  - $\Delta f/f$  : Clock accuracy (stable frequency) in any temperature and voltage.
  - $\Delta f/f_0$  : Frequency precision
  - $\Delta f_T$  : Frequency deviation in any temperature.
  - $\Delta f_V$  : Frequency deviation in any voltage.
- How to find the date difference  

$$\text{Date Difference} = \Delta f/f \times 86400(\text{Sec})$$

\* For example:  $\Delta f/f = 11.574 \times 10^{-6}$  is an error of approximately 1 second/day.

## 11. Application notes

### 1) Notes on handling

This module uses a C-MOS IC to realize low power consumption. Carefully note the following cautions when handling.

#### (1) Static electricity

While this module has built-in circuitry designed to protect it against electrostatic discharge, the chip could still be damaged by a large discharge of static electricity. Containers used for packing and transport should be constructed of conductive materials. In addition, only soldering irons, measurement circuits, and other such devices which do not leak high voltage should be used with this module, which should also be grounded when such devices are being used.

#### (2) Noise

If a signal with excessive external noise is applied to the power supply or input pins, the device may malfunction or "latch up." In order to ensure stable operation, connect a filter capacitor (preferably ceramic) of greater than  $0.1 \mu\text{F}$  as close as possible to the power supply pins. Also, avoid placing any device that generates high level of electronic noise near this module.

#### (3) Voltage levels of input pins

When the input pins are at the mid-level, this will cause increased current consumption and a reduced noise margin, and can impair the functioning of the device. Therefore, try as much as possible to apply the voltage level close to  $V_{IO}$  or GND.

### 2) Notes on packaging

#### (1) Soldering heat resistance.

If the temperature within the package exceeds  $+260 \text{ }^\circ\text{C}$ , the characteristics of the crystal oscillator will be degraded and it may be damaged. The reflow conditions within our reflow profile is recommended. Therefore, always check the mounting temperature and time before mounting this device. Also, check again if the mounting conditions are later changed.

\* See Fig. 1 profile for our evaluation of Soldering heat resistance for reference.

#### (2) Mounting equipment

While this module can be used with general-purpose mounting equipment, the internal crystal oscillator may be damaged in some circumstances, depending on the equipment and conditions. Therefore, be sure to check this. In addition, if the mounting conditions are later changed, the same check should be performed again.

#### (3) Ultrasonic cleaning

Depending on the usage conditions, there is a possibility that the crystal oscillator will be damaged by resonance during ultrasonic cleaning. Since the conditions under which ultrasonic cleaning is carried out (the type of cleaner, power level, time, state of the inside of the cleaning vessel, etc.) vary widely, this device is not warranted against damage during ultrasonic cleaning.

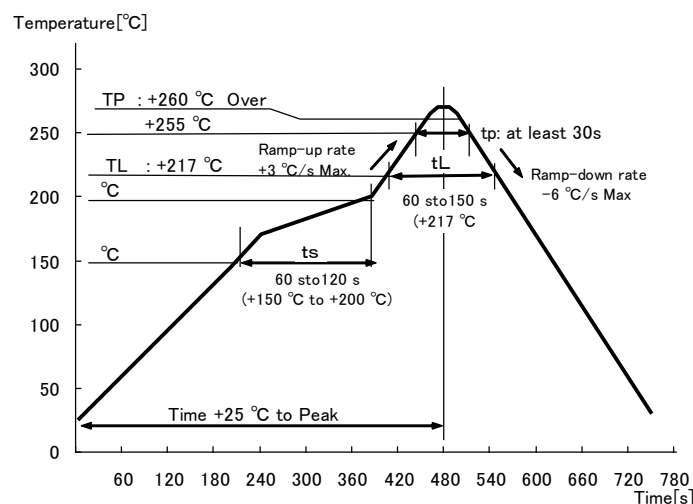
#### (4) Mounting orientation

This device can be damaged if it is mounted in the wrong orientation. Always confirm the orientation of the device before mounting.

#### (5) Leakage between pins

Leakage between pins may occur if the power is turned on while the device has condensation or dirt on it. Make sure the device is dry and clean before supplying power to it.

Fig. 1 : Reference profile for our evaluation of Soldering heat resistance.



## 12. Overview of Functions and Description of Registers

Note:

The initialization of the register is necessary about the unused function and Reserved bit

### 12.1. Overview of Functions

#### 1) Clock functions

This function is used to set and read out month, day, hour, date, minute, second, and year (last two digits) data. Any (two-digit) year that is a multiple of 4 is treated as a leap year and calculated automatically as such until the year 2099.

At the time of a communication start, the Clock & Calendar data are fixed (hold the carry operation), and it is automatically revised at the time of the communication end.

#### 2) Wakeup Timer Interrupt function

The wakeup timer interrupt function generates an interrupt event periodically at any fixed cycle set between 244.14  $\mu$ s and 65535 hours.

When an interrupt event is generated, the /IRQ2 pin goes to low level ("L") and "1" is set to the TF bit to report that an event has occurred.

#### 3) Long-Timer function

It is able to use wakeup timer interrupt function as Long-Timer that deals with for approx. 15 years.

#### 4) Alarm interrupt function

The alarm interrupt function generates interrupt events for alarm settings such as date, day, hour, and minute settings. When an interrupt event occurs, the AF bit value is set to "1" and the /IRQ1 pin goes to low level to indicate that an event has occurred.

#### 5) Time Update Interrupt Function

The time update interrupt function generates interrupt events at one-second or one-minute intervals, according to the timing of the internal clock. When an interrupt event is generated, the /IRQ1 pin goes to low level ("L") and "1" is set to the UF bit to report that an event has occurred.

#### 6) Frequency stop detection function (VLF-bit)

This flag bit indicates the retained status of clock operations or internal data. Its value changes from "0" to "1" when data loss occurs, such as due to a supply voltage drop.

#### 7) Clock output function

A clock with the same frequency (32.768 kHz) as the built-in crystal resonator can be output from the /IRQ1, /IRQ2 pin.

#### 8) Digital offset function

The clock precision can be set ahead or behind. The minimum resolution is  $3.05 \times 10^{-6}$  and it can adjust it in the range of  $+192.3 \times 10^{-6}$  from  $-195.3 \times 10^{-6}$ . When calculate compensation value from frequency accuracy or clock accuracy, please refer to accuracy after initialized a register by all means.

#### 9) User RAM

RAM register is read/write accessible for any data.

Digital offset function



12.2. Register table

Address h	Function	bit 7	bit 6	bit 5	bit 4	bit 3	bit 2	bit 1	bit 0
10	SEC	○	40	20	10	8	4	2	1
11	MIN	○	40	20	10	8	4	2	1
12	HOUR	○	○	20	10	8	4	2	1
13	WEEK	○	6	5	4	3	2	1	0
14	DAY	○	○	20	10	8	4	2	1
15	MONTH	○	○	○	10	8	4	2	1
16	YEAR	80	40	20	10	8	4	2	1
17	Reserved	-	-	-	-	-	-	-	-
	<b>Setting data</b>	<b>1</b>	<b>1</b>	<b>0</b>	<b>1</b>	<b>1</b>	<b>0</b>	<b>0</b>	<b>0</b>
18	MIN Alarm	AE	40	20	10	8	4	2	1
19	HOUR Alarm	AE	•	20	10	8	4	2	1
1A	WEEK Alarm	AE	6	5	4	3	2	1	0
	DAY Alarm		•	20	10	8	4	2	1
1B	Timer Counter 0	128	64	32	16	8	4	2	1
1C	Timer Counter 1	32768	16384	8192	4096	2048	1024	512	256
1D	Extension Register	FSEL1	FSEL0	USEL	TE	WADA	TSEL2	TSEL1	TSEL0
1E	Flag Register	○	○	UF	TF	AF	○	VLF	○
1F	Control Register	<b>TEST</b>	STOP	UIE	TIE	AIE	TSTP	-	-
	<b>Setting data</b>	<b>0</b>	STOP	UIE	TIE	AIE	TSTP	<b>0</b>	<b>0</b>

Address h	Function	bit 7	bit 6	bit 5	bit 4	bit 3	bit 2	bit 1	bit 0
20   2F	RAM	User Register 128 bit ( 16 word x 8 bit )							

Address h	Function	bit 7	bit 6	bit 5	bit 4	bit 3	bit 2	bit 1	bit 0
30	Digital offset	DTE	L7	L6	L5	L4	L3	L2	L1
31	Reserved	○	○	○	-	-	-	-	-
	<b>Setting data</b>	<b>0</b>	<b>0</b>	<b>0</b>	<b>0</b>	<b>1</b>	<b>0</b>	<b>0</b>	<b>0</b>
32	IRQ Control	○	-	-	-	○	TMPIN	FOPIN1	FOPIN0
	<b>Setting data</b>	<b>0</b>	<b>0</b>	<b>0</b>	<b>0</b>	<b>0</b>	TMPIN	FOPIN1	FOPIN0

Note During the initial power-on (from 0 V) and if the value of the VLF bit is "1" when the VLF bit is read, be sure to initialize all registers before using them.

When doing this, be careful to avoid setting incorrect data as the date or time, as timed operations cannot be guaranteed if incorrect date or time data has been set.

- \*1. During the initial power-on (from 0 V), the power-on reset function sets "1" to the VLF bit.  
\* Since the value of other registers is undefined at this time, be sure to reset all registers before using them.
- \*2. The **TEST** bit are Epson test bits.  
\* Be sure to write "0" by initializing before using the clock module. Afterward, be sure to set "0" when writing.  
\* The four **TEST**\* bits are undefined when read. Those bits should be masked after being read.
- \*3. The '○' mark indicates a write-prohibited bit, which returns a "0" when read.
- \*4. The '•' mark indicates a read/write-accessible RAM bit for any data.

- \*5. The '-' mark is a Reserved bit. It is necessary to write in **Setting data** at the time of initialization.
- \*6. User Register is a free register.

### 12.3. Description of registers

#### 12.3.1. Clock and calendar counter

This is counter registers from a second to year.

\* Please refer to [\[13.1 Clock calendar explanation\]](#) for the details.

#### 12.3.2. RAM registers

This RAM register is read/write accessible for any data in the range from 00 h to FF h.

#### 12.3.3. Alarm registers

The alarm interrupt function is used, along with the AE, AF, and WADA bits, to set alarms for specified date, day, hour, and minute values.

\* Please refer to [\[13.3. Alarm Interrupt Function\]](#) for the details.

#### 12.3.4. Wakeup Timer setting and Timer counter register

This register is used to set the default (preset) value for the counter.

To use the wakeup timer interrupt function, TE, TF, TIE, TSEL2, TSEL1, TSEL0, TMPIN bits are set and used. When the wakeup timer interrupt function is not being used, the wakeup timer control register can be used as a RAM register. In such cases, stop the wakeup timer function by writing "0" to the TE and TIE bits.

\* Please refer to [\[13.2. Wakeup Timer Interrupt Function\]](#) for the details.

#### 12.3.5. Function-related register 1.

##### 1) FSEL1, FSEL0 bit

A combination of the FSEL1 and FSEL0 bits is used to select the frequency to be output.

The choice is possible by a combination of FSEL-bits select the frequency of clock output or inhibits the clock output.

\* Please refer to [\[13.6. FOUT Function\]](#) for the details.

##### 2) USEL, UF, UIE bit

This bit is used to specify either "second update" or "minute update" as the update generation timing of the time update interrupt function.

\* Please refer to [\[13.4. Update interrupt function\]](#) for the details.

##### 3) TE, TF, TIE, TSEL2, TSEL1, TSEL0, TSTP bit

These bits are used to control operation of the wakeup timer interrupt function.

##### 4) WADA, AF, AIE bit

These bits are used to control operation of the alarm interrupt function.

##### 5) **TEST** bit

TEST bit is prepared for shipping inspection. Always leave this bit value as "0" except when testing.

##### 6) VLF bit

This flag bit indicates the retained status of clock operations or internal data. Its value changes from "0" to "1" when data loss occurs, such as due to a supply voltage drop.

\* Please refer to [\[13.5. Frequency stop detection function\]](#) for the details.

##### 7) STOP bit

This bit is to stop a timekeeping operation. In the case of "STOP bit = 1", working is as follows a function .

\* 1) All the update of timekeeping and the calendar operation stops.

With it, an update interrupt event does not occur at an alarm interrupt and the time.

\* 2) The part of the wakeup timer interrupt function stops.

A count stops the source clock setting of the timer in case of "64Hz, 1Hz, 1min, 1h".

\* 3) Note 3: The effect of STOP bit to FOUT functions.

When STOP = "1", 32768Hz output is possible.

But 1Hz and 1024Hz output is disabled.

12.3.6. Function-related register 2.

1) FOPIN1, FOPIN0 bit

This bit selects destination (/IRQ1 or /IRQ2) of FOUT.

2) TMPIN bit

This bit selects destination (/IRQ1 or /IRQ2) of wakeup timer function.

12.3.7. Reserved bit

The '-' mark has to write in specified fixed value in the case of initialization by all means. Writing data as follows.

Address h	Function	bit 7	bit 6	bit 5	bit 4	bit 3	bit 2	bit 1	bit 0
17	Reserved	-	-	-	-	-	-	-	-
	<b>Setting data</b>	<b>1</b>	<b>1</b>	<b>0</b>	<b>1</b>	<b>1</b>	<b>0</b>	<b>0</b>	<b>0</b>
1F	Control Register	<u>TEST</u>	STOP	UIE	TIE	AIE	TSTP	-	-
	<b>Setting data</b>	<b>0</b>	STOP	UIE	TIE	AIE	TSTP	<b>0</b>	<b>0</b>

Address h	Function	bit 7	bit 6	bit 5	bit 4	bit 3	bit 2	bit 1	bit 0
31	Reserved	○	○	○	-	-	-	-	-
	<b>Setting data</b>	<b>0</b>	<b>0</b>	<b>0</b>	<b>0</b>	<b>1</b>	<b>0</b>	<b>0</b>	<b>0</b>
32	IRQ Control	○	-	-	-	○	TMPIN	FOPIN1	FOPIN0
	<b>Setting data</b>	<b>0</b>	<b>0</b>	<b>0</b>	<b>0</b>	<b>0</b>	TMPIN	FOPIN1	FOPIN0

The '○' mark indicates a write-prohibited bit, which returns a "0" when read.

## 13. How to use

### 13.1. Clock calendar explanation

At the time of a communication start, the Clock & Calendar data are fixed (hold the carry operation), and it is automatically revised at the time of the communication end. Therefore it recommends that the access to a clock calendar has continuous access by the auto increment function.

Setting example: Sun, 29-Feb-88 17:39:45 (leap year)

Address h	Function	bit 7	bit 6	bit 5	bit 4	bit 3	bit 2	bit 1	bit 0
10	SEC	0	1	0	0	0	1	0	1
11	MIN	0	0	1	1	1	0	0	1
12	HOUR	0	0	0	1	0	1	1	1
13	WEEK	0	0	0	0	0	0	0	1
14	DAY	0	0	1	0	1	0	0	1
15	MONTH	0	0	0	0	0	0	1	0
16	YEAR	1	0	0	0	1	0	0	0

\* Note with caution that writing non-existent time data may interfere with normal operation of the clock counter.

#### 13.1.1. Clock counter

##### 1) [ SEC ] [ MIN ] register

These registers are 60-base BCD counters. These registers are incremented at the timing when carry is generated from a lower register. At the timing when the lower register changes from 59 to 00, carry is generated to the higher register and thus incremented.

When writing is performed to [SEC] register, Internal-count-down-chain less than one second (512Hz ~ 1 Hz) is cleared to 0.

##### 2) [ HOUR ] register

This register is a 24-base BCD counter (24 hour format). These registers are incremented at the timing when carry is generated from a lower register.

#### 13.1.2. Week counter

The day (of the week) is indicated by 7 bits, bit 0 to bit 6.

The day data values are counted as: Day 01h → Day 02h → Day 04h → Day 08h → Day 10h → Day 20h → Day 40h → Day 01h → Day 02h, etc.

It is incremented when carry is generated from the HOUR register. This register does not generate carry to a higher register. Since this register is not connected with the YEAR, MONTH and DAY registers, it needs to be set again with the matching day of the week if any of the YEAR, MONTH or DAY registers have been changed.

The setting example of the week register value.

Day	bit 7	bit 6	bit 5	bit 4	bit 3	bit 2	bit 1	bit 0	Data h
Sunday	0	0	0	0	0	0	0	1	01 h
Monday	0	0	0	0	0	0	1	0	02 h
Tuesday	0	0	0	0	0	1	0	0	04 h
Wednesday	0	0	0	0	1	0	0	0	08 h
Thursday	0	0	0	1	0	0	0	0	10 h
Friday	0	0	1	0	0	0	0	0	20 h
Saturday	0	1	0	0	0	0	0	0	40 h

\* Do not set "1" to more than one day at the same time.

#### 13.1.3. Calendar counter

##### 1) [ DAY ], [ MONTH ] register

The DAY register is a variable (between 28-base and 31-base) BCD counter that is influenced by the month and the leap year. The MONTH register is 12-base BCD counter. when carry is generated from a lower register.

		Jan.	Feb.	Mar	Apr.	May	June	July	Aug.	Sep.	Oct.	Nov.	Dec.
Days	Normal year	31	28	31	30	31	30	31	31	30	31	30	31
	Leap year	31	29	31	30	31	30	31	31	30	31	30	31

##### 2) [ YEAR ] register

This register is a BCD counter for years 00 to 99.

The leap year is automatically determined, which reflects in the DAY register.

### 13.2. Wakeup Timer Interrupt Function

The wakeup timer interrupt function generates an interrupt event periodically at any fixed cycle set between 244.14  $\mu$ s and 65535 hours. This function can stop at one time and is available as a accumulative timer. After the interrupt occurs, the /IRQ status is automatically cleared .

#### 13.2.1. Related registers for function of wakeup timer interrupt function

Address h	Function	bit 7	bit 6	bit 5	bit 4	bit 3	bit 2	bit 1	bit 0
1B	Timer Counter 0	128	64	32	16	8	4	2	1
1C	Timer Counter 1	32768	16384	8192	4096	2048	1024	512	256
1D	Extension Register	FSEL1	FSEL0	USEL	TE	WADA	TSEL2	TSEL1	TSEL0
1E	Flag Register	○	○	UF	TF	AF	○	VLF	○
1F	Control Register	<b>TEST</b>	STOP	UIE	TIE	AIE	TSTP	-	-

Address h	Function	bit 7	bit 6	bit 5	bit 4	bit 3	bit 2	bit 1	bit 0
32	IRQ Control	○	-	-	-	○	TMPIN	FOPIN1	FOPIN0

- \* Before entering operation settings, we recommend first clearing the TE bit to "0" .
- \* When the wakeup timer function is not being used, the wakeup Timer Counter0,1 register can be used as a RAM register. In such cases, stop the wakeup timer function by writing "0" to the TE and TIE bits.

1) Down counter for wakeup timer ( Timer Counter 1, 0 )

This register is used to set the default (preset) value for the counter. Any count value from 1 (0001 h) to 65535 (FFFFh) can be set.

Be sure to write "0" to the TE bit before writing the preset value.

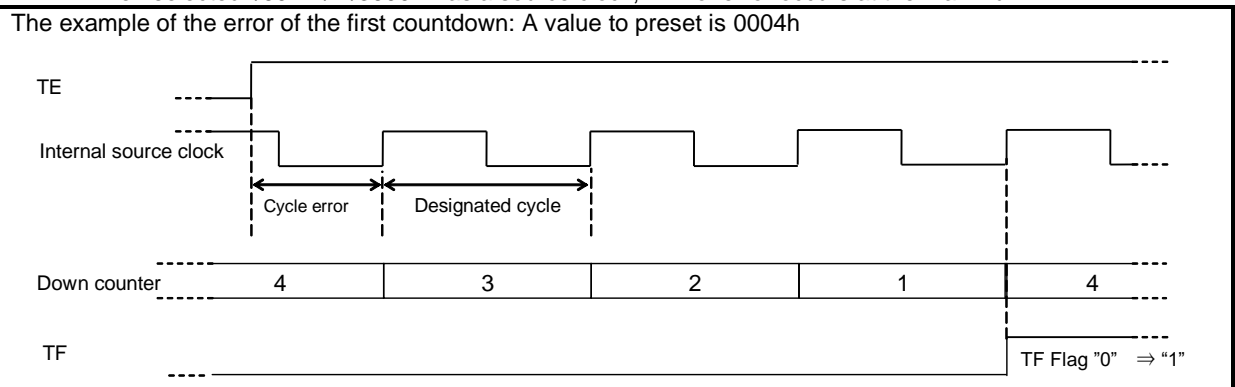
- \* When TE=0, read out data of timer counter is default(Preset) value.
- And when TE=1, read out data of timer counter is just counting value.
- But, when access to timer counter data, counting value is not held.
- Therefore, for example, perform twice read access to obtain right data, and a way to adopt the case that two data accorded is necessary.

2) TSEL2, TSEL1, TESL0 bit

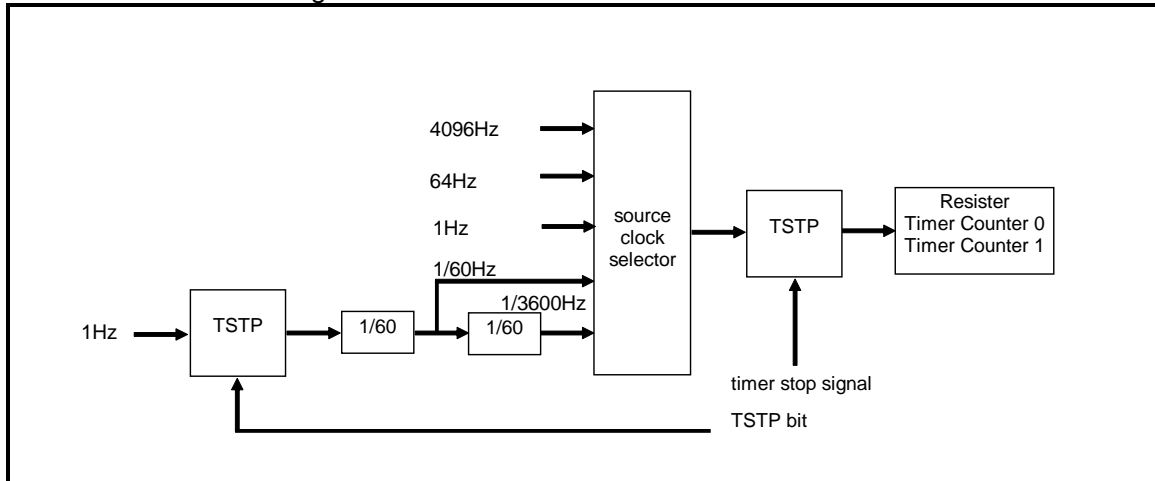
The combination of these three bits is used to set the countdown period (source clock) for this function.

TSEL2 ( bit 2 )	TSEL1 ( bit 1 )	TSEL0 ( bit 0 )	Source clock	Auto reset time tRTN
0	0	0	4096 Hz /Once per 244.14 $\mu$ s	122 $\mu$ s
0	0	1	64 Hz /Once per 15.625 ms	7.813 ms
0	1	0	1 Hz /Once per second	7.813 ms
0	1	1	1/60 Hz /Once per minute	7.813 ms
1	0	0	1/3600 Hz /Once per hour	7.813 ms

- \*1) The /IRQ pin's auto reset time (tRTN) varies as shown above according to the source clock setting.
- \*2) The first countdown shortens than a source clock.  
When selected 4,096Hz / 64HZ / 1Hz as a source clock, one period of error occurs at the maximum.  
When selected 1/60Hz / 1/3600Hz as a source clock, 1Hz of error occurs at the maximum.



## Inside counter block diagram



\* Cannot read the count value that is lower than a selected source clock.

## 3) TE bit ( Timer Enable )

When TE bit is "0", the default (preset) can be checked by reading this register.

TE	Data	Description
Write	0	Stops wakeup timer interrupt function. * Clearing this bit to zero does not enable the /IRQ low output status to be cleared (to Hi-z).
	1	Starts wakeup timer interrupt function. * The countdown that starts when the TE bit value changes from "0" to "1" always begins from the preset value.

## 4) TF bit ( Timer Flag )

This is a flag bit that retains the result when a wakeup timer interrupt event is detected.

TF	Data	Description
Write	0	The TF bit is cleared to zero to prepare for the next status detection * Clearing this bit to zero does not enable the /IRQ low output status to be cleared (to Hi-z).
	1	This bit is invalid after a "1" has been written to it.
Read	0	-
	1	Wakeup timer interrupt events are detected. (Result is retained until this bit is cleared to zero.)

## 5) TIE bit ( Timer Interrupt Enable )

This bit is used to control output of interrupt signals from the /IRQ1 or /IRQ" pin when a wakeup timer interrupt event has occurred.

TIE	Data	Description
Write	0	1) When a wakeup timer interrupt event occurs, an interrupt signal is not generated. 2) When a wakeup timer interrupt event occurs, the interrupt signal is canceled (/IRQ status changes from low to Hi-z).
	1	When a wakeup timer interrupt event occurs, an interrupt signal is generated (/IRQ status changes from Hi-z to low).

7) TSTP bit ( Timer Stop )

This bit is used to stop wakeup timer count down.

operation	STOP	TSTP	Description
Write	0	0	Writing a "0" to this bit cancels stop status (restarts timer count down). *The reopening value of the countdown is a stopping value
		1	Count stops.
	1	X	The count stops at the time of the setting of 64Hz, 1Hz, 1/60Hz, 1/3600Hz.

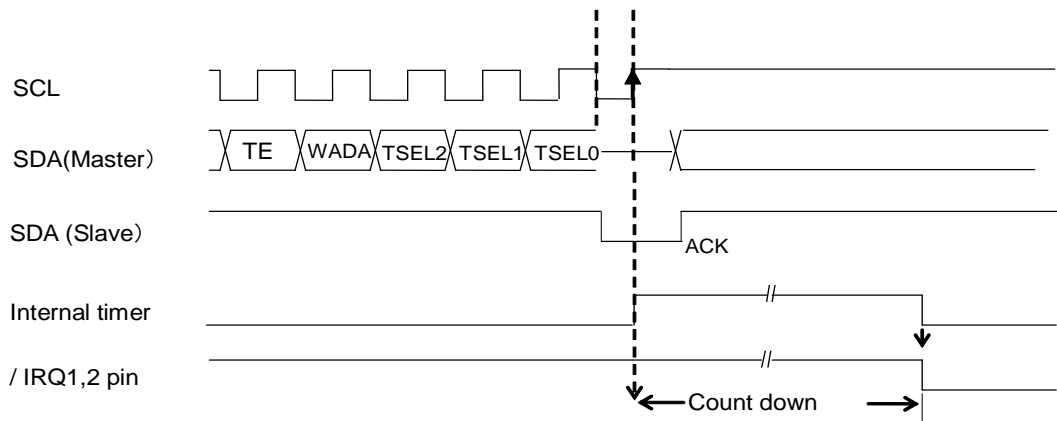
8) TMPIN bit

Select the destination of the timer interrupt output signal.(/IRQ1 or /IRQ2)

TMPIN	Data	Description
Write	0	/IRQ2 pin
	1	/IRQ1 pin

13.2.2. Wakeup timer start timing

Counting down of the wakeup timer value starts at the rising edge of the SCL (ACK output) signal that occurs when the TE value is changed from "0" to "1".

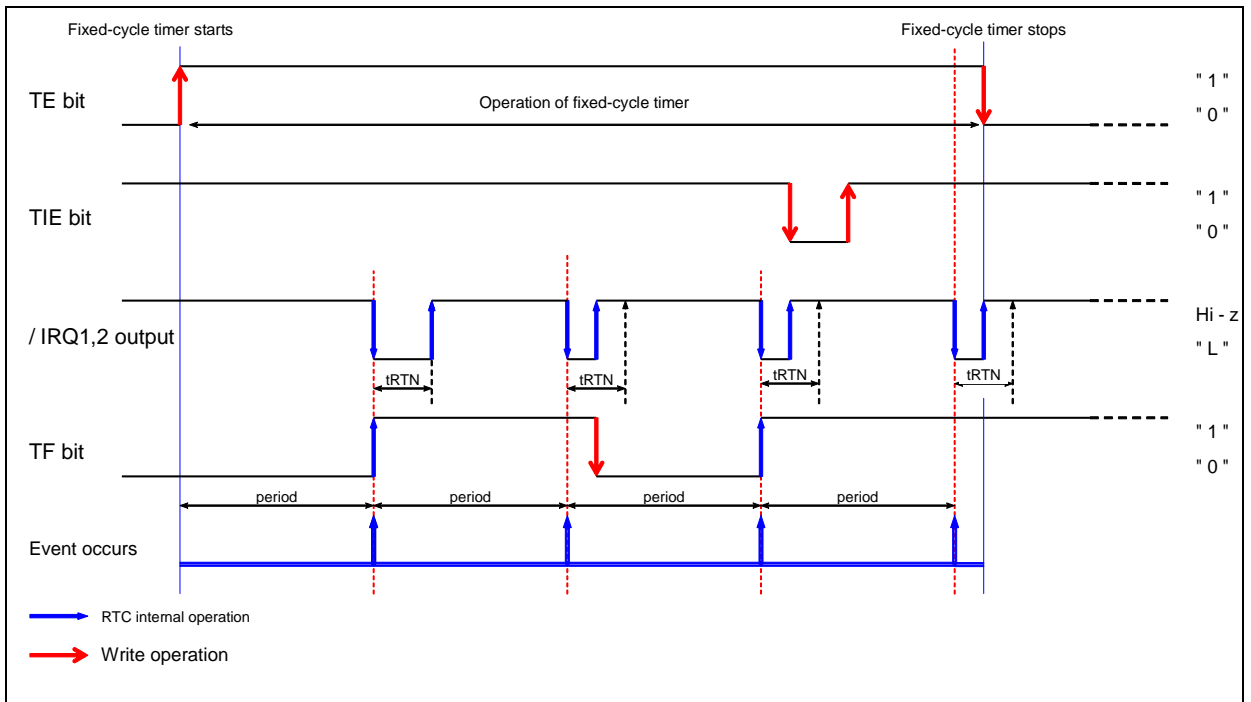
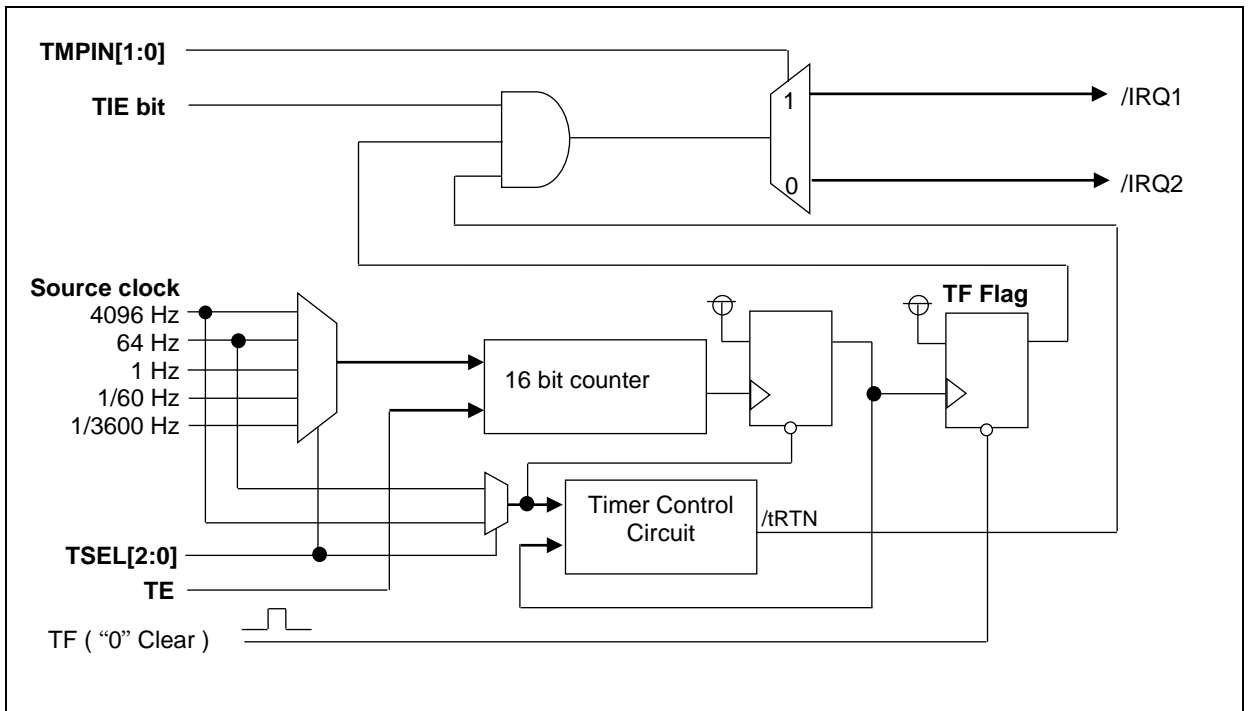


13.2.3. Wakeup timer interrupt interval (example)

The combination of the source clock settings and wakeup timer countdown setting sets interrupt interval, as shown in the following examples.

Timer Counter setting 1 ~ 65535	Source clock				
	4096 Hz TSEL2 = 0 TSEL1, 0 = 0, 0	64 Hz TSEL2 = 0 TSEL1, 0 = 0, 1	1 Hz TSEL2 = 0 TSEL1, 0 = 1, 0	1 / 60 Hz TSEL2 = 0 TSEL1, 0 = 1, 1	1 / 3600 Hz TSEL2 = 1 TSEL1, 0 = 0, 0
0	–	–	–	–	–
1	244.14 μs	15.625 ms	1 s	1 min	1 h
:	:	:	:	:	:
410	100.10 ms	6.406 s	410 s	410 min	410 h
:	:	:	:	:	:
3840	0.9375 s	60.000 s	3840 s	3840 min	3840 h
:	:	:	:	:	:
4096	1.0000 s	64.000 s	4096 s	4096 min	4096 h
:	:	:	:	:	:
65535	15.9998 s	1023.984 s	65535 s	65535 min	65535 h

13.2.4. Diagram of wakeup timer interrupt function



- \* After the interrupt event that occurs when the count value changes from 0001h to 0000h, the counter automatically reloads the preset value and again starts to count down. (Repeated operation)
- \* The count down that starts when the TE bit value changes from "0" to "1" always begins from the preset value.



### 13.3. Alarm Interrupt Function

The alarm interrupt function generates interrupt events for alarm settings such as date, day, hour, and minute settings.

When an interrupt event occurs, the AF bit value is set to "1" and the /IRQ1 pin goes to low level to indicate that an event has occurred. AF bit and IRQ output change after 1.46ms from alarm agreement at the maximum.

\* /IRQ1="L" output when occurs alarm interruption event is not cancelled automatically unless giving intentional cancellation and /IRQ1="L" is maintained.

#### 13.3.1. Related registers for Alarm interrupt functions.

Address h	Function	bit 7	bit 6	bit 5	bit 4	bit 3	bit 2	bit 1	bit 0
18	MIN Alarm	AE	40	20	10	8	4	2	1
19	HOUR Alarm	AE	•	20	10	8	4	2	1
1A	WEEK Alarm	AE	6	5	4	3	2	1	0
	DAY Alarm		•	20	10	8	4	2	1
1D	Extension Register	FSEL1	FSEL0	USEL	TE	WADA	TSEL2	TSEL1	TSEL0
1E	Flag Register	○	○	UF	TF	AF	○	VLF	○
1F	Control Register	<b>TEST</b>	STOP	UIE	TIE	AIE	TSTP	-	-

\* Before entering settings for operations, we recommend writing a "0" to the AIE bit to prevent hardware interrupts from occurring inadvertently while entering settings.

\* When the STOP bit value is "1" alarm interrupt events do not occur.

\* When the alarm interrupt function is not being used, the Alarm registers can be used as a RAM register. In such cases, be sure to write "0" to the AIE bit.

\* Even if use alarm register as RAM register, inside of RTC is processed as alarm setting, therefore it is able to prevent unintentional alarm occurrence (/IRQ1="L" occurrence) due to unexpected agreement with writing data and timer condition by means of setting to AIE="0".

#### 1) Alarm registers ( Reg – 18h to 1Ah )

In the WEEK alarm /Day alarm register (Reg - 1A), the setting selected via the WADA bit determines whether WEEK alarm data or DAY alarm data will be set. If WEEK has been selected via the WADA bit, multiple days can be set (such as Monday, Wednesday, Friday, Saturday).

\*1) The register that "1" was set to "AE" bit, doesn't compare alarm.

(Example) Write 80h (AE = "1") to the WEEK Alarm /DAY Alarm register (Reg - 1A):

Only the hour and minute settings are used as alarm comparison targets. The week and date settings are not used as alarm comparison targets.

As a result, alarm occurs if only an hour and minute accords with alarm data.

\*2) If all three AE bit values are "1" the week/date settings are ignored and an alarm interrupt event will occur once per minute.

\*3) Even if the current date/time is used as the setting, the alarm will not occur until the counter counts up to the current date/time (i.e., an alarm will occur next time, not immediately).

#### 2) WADA bit ( Week Alarm / Day Alarm Select )

The alarm interrupt function uses either "Day" or "Week" as its target. The WADA bit is used to specify either WEEK or DAY as the target for alarm interrupt events.

WADA	Data	Description
Write	0	Sets WEEK as target of alarm function
	1	Sets DAY as target of alarm function

#### 3) AF bit ( Alarm Flag )

When this flag bit value is already set to "0", occurrence of an alarm interrupt event changes it to "1". When this flag bit value is "1", its value is retained until a "0" is written to it.

AF	Data	Description
Write	0	Clearing this bit to zero enables /IRQ1 low output to be canceled (/IRQ1 remains Hi-z) when an alarm interrupt event has occurred.
	1	This bit is invalid after a "1" has been written to it.
Read	0	-

	1	Alarm interrupt events are detected. (Result is retained until this bit is cleared to zero.)
--	---	---

## 4) AIE bit ( Alarm Interrupt Enable )

This bit is used to control output of interrupt signals from the /IRQ1 pin when an Alarm interrupt event has occurred.

AIE	Data	Description
Write	0	1) When an alarm interrupt event occurs, an interrupt signal is not generated or is canceled (/IRQ1 status remains Hi-z). 2) When an alarm interrupt event occurs, the interrupt signal is canceled (/IRQ1 status changes from low to Hi-z).
	1	When an alarm interrupt event occurs, an interrupt signal is generated (/IRQ1 status changes from Hi-z to low).

\*The AIE bit is only output control of the /IRQ1 terminal. It is necessary to clear an AF flag to cancel alarm.

## 13.3.2. Examples of alarm settings

## 1) Example of alarm settings when "Week" has been specified (and WADA bit = "0")

Week is specified WADA bit = "0"	Week Alarm								HOUR Alarm	MIN Alarm
	bit 7	bit 6	bit 5	bit 4	bit 3	bit 2	bit 1	bit 0		
	AE	S	F	T	W	T	M	S		
Monday through Friday, at 7:00 AM * Minute value is ignored	0	0	1	1	1	1	1	0	07 h	AE bit = 1
Every Saturday and Sunday, for 30 minutes each hour * Hour value is ignored	0	1	0	0	0	0	0	1	AE bit = 1	30 h
Every day, at 6:59 AM	0	1	1	1	1	1	1	1	18 h	59 h
	1	X	X	X	X	X	X	X		

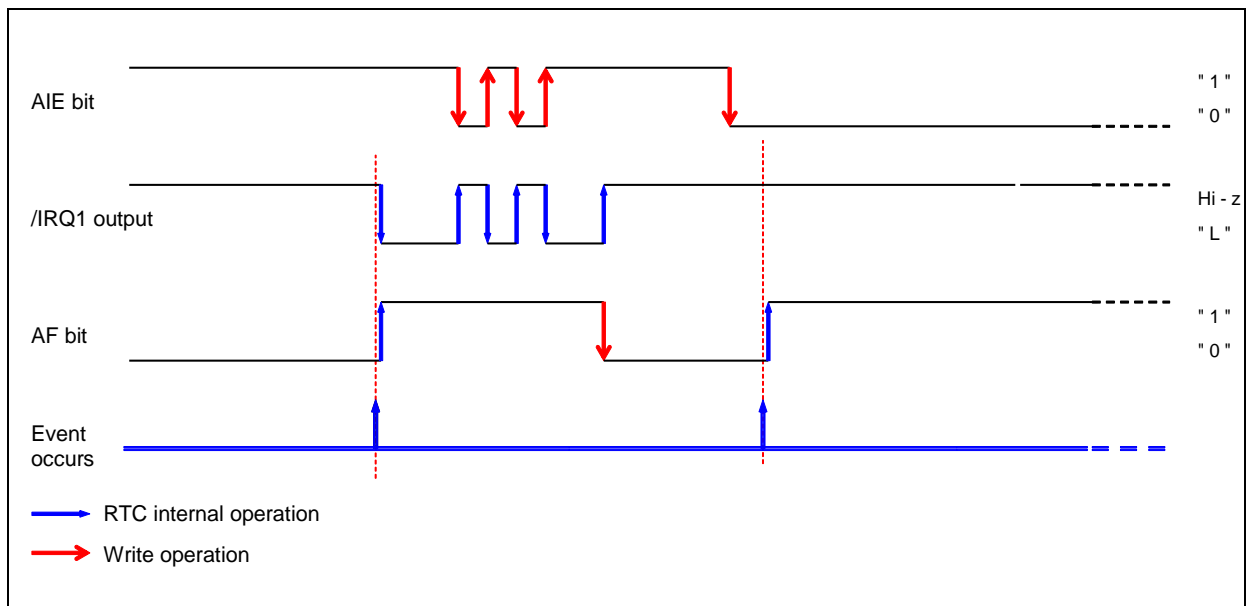
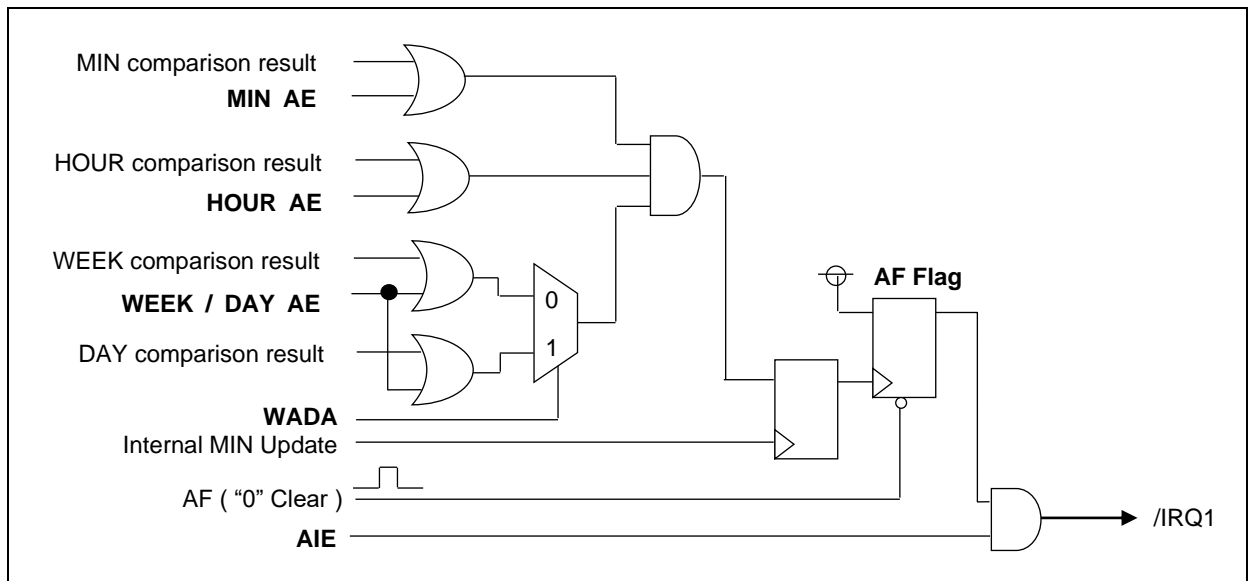
X: Don't care

## 2) Example of alarm settings when "Day" has been specified (and WADA bit = "1")

Day is specified WADA bit = "1"	Day Alarm								HOUR Alarm	MIN Alarm
	bit 7	bit 6	bit 5	bit 4	bit 3	bit 2	bit 1	bit 0		
	AE	•	20	10	08	04	02	01		
First of each month, at 7:00 AM * Minute value is ignored	0	0	0	0	0	0	0	1	07 h	AE bit = 1
15 <sup>th</sup> of each month, for 30 minutes each hour * Hour value is ignored	0	0	0	1	0	1	0	1	AE bit = 1	30 h
Every day, at 6:59 PM	1	X	X	X	X	X	X	X	18 h	59 h

X: Don't care

13.3.3. Diagram of alarm interrupt function



### 13.4. Time Update Interrupt Function

The time update interrupt function generates interrupt events at one-second or one-minute intervals, according to the timing of the internal clock. This /IRQ1 status is automatically cleared

#### 13.4.1. Related registers for time update interrupt functions.

Address h	Function	bit 7	bit 6	bit 5	bit 4	bit 3	bit 2	bit 1	bit 0
1D	Extension Register	FSEL1	FSEL0	<b>USEL</b>	TE	WADA	TSEL2	TSEL1	TSEL0
1E	Flag Register	○	○	<b>UF</b>	TF	AF	○	VLF	○
1F	Control Register	<b>TEST</b>	STOP	<b>UIE</b>	TIE	AIE	TSTP	-	-

- \* Before entering settings for operations, we recommend writing a "0" to the UIE bit to prevent hardware interrupts from occurring inadvertently while entering settings.
- \* When the STOP bit value is "1" time update interrupt events do not occur.
- \* Although the time update interrupt function cannot be fully stopped, if "0" is written to the UIE bit, the time update interrupt function can be prevented from changing the /IRQ1 pin status to low.

#### 1) USEL bit ( Update Interrupt Select )

This bit is used to select "second" update or "minute" update as the timing for generation of time update interrupt events.

<b>USEL</b>	Data	Description
Write	0	Selects "second update" (once per second) as the timing for generation of interrupt events
	1	Selects "minute update" (once per minute) as the timing for generation of interrupt events

#### 2) UF bit ( Update Flag )

This flag bit value changes from "0" to "1" when a time update interrupt event occurs.

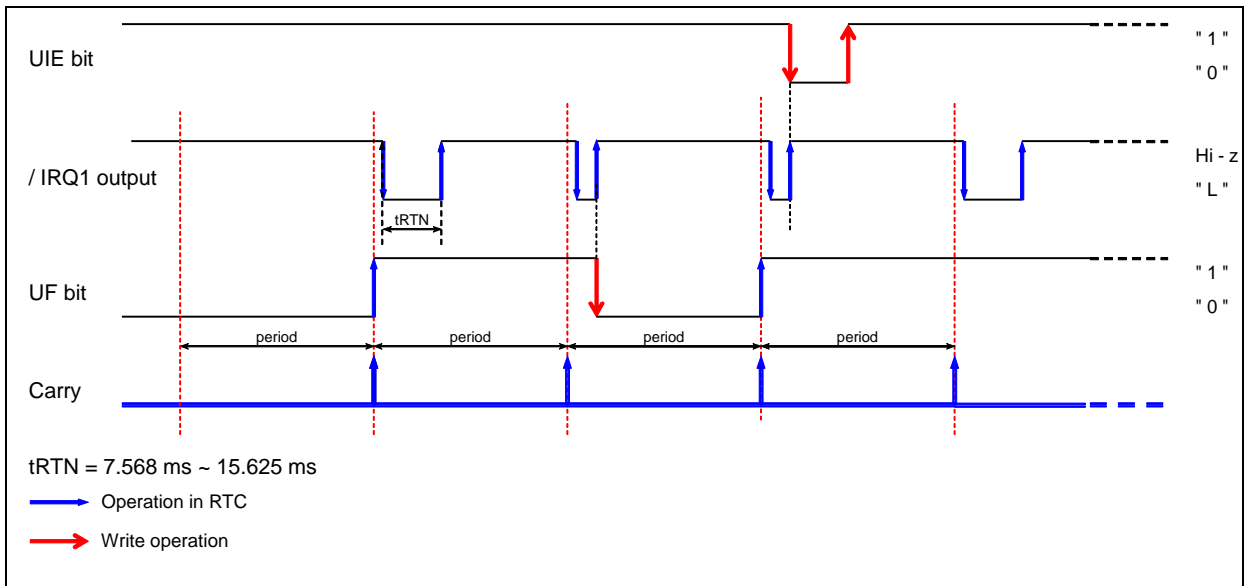
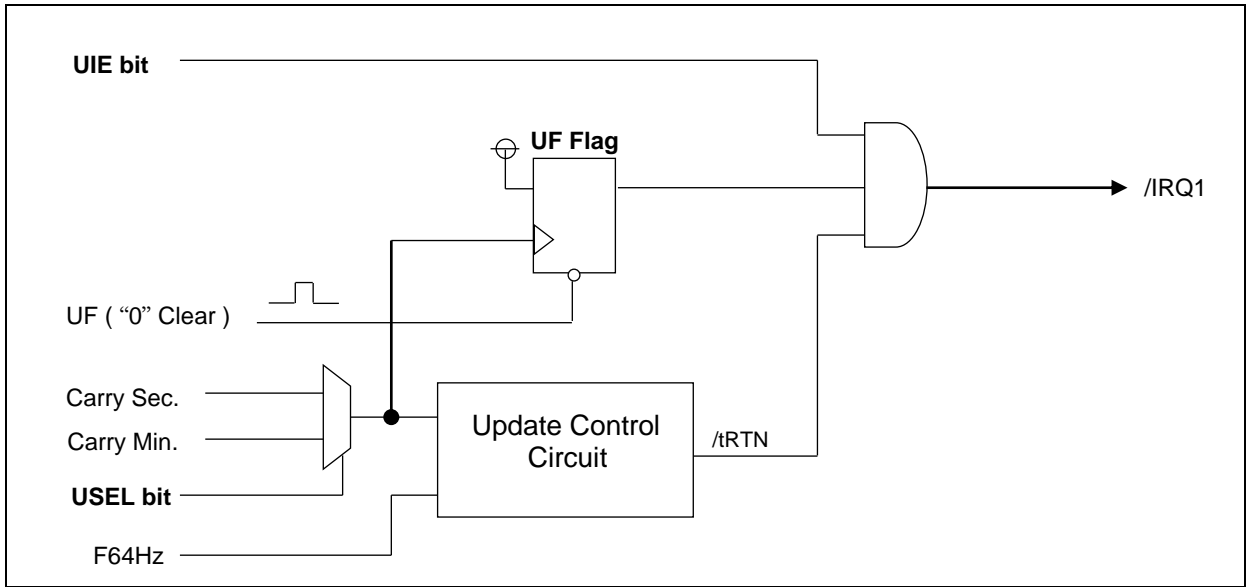
<b>UF</b>	Data	Description
Write	0	Clearing this bit to zero enables /IRQ1 low output to be canceled (/IRQ1 remains Hi-z) when an time update interrupt event has occurred.
	1	This bit is invalid after a "1" has been written to it.
Read	0	-
	1	Time update interrupt events are detected. (The result is retained until this bit is cleared to zero.)

#### 3) UIE bit ( Update Interrupt Enable )

This bit selects whether to generate an interrupt signal or to not generate it.

<b>UIE</b>	Data	Description
Write / Read	0	1) Does not generate an interrupt signal. (/IRQ1 remains Hi-z) 2) Cancels interrupt signal triggered by time update interrupt event (/IRQ1 changes from low to Hi-z).
	1	When an Update interrupt event occurs, an interrupt signal is generated.

13.4.2. Time update interrupt function diagram



### 13.5. Frequency stop detection function

This flag bit indicates the retained status of clock operations or internal data. Its value changes from "0" to "1" when data loss occurs, such as due to a supply voltage drop. Once this flag bit's value is "1", its value is retained until a "0" is written to it. This function can not detect voltage down of short time.

During the initial power-on (from 0 V) and if the value of the VLF bit is "1" when the VLF bit is read, be sure to initialize all registers before using them.

VLF	Data	Description
Write	0	The VLF is cleared to 0, and waiting for next low voltage detection.
	1	It is impossible to write in 1 to VLF.
Read	0	RTC register data are valid.
	1	RTC register data are invalid. Should be initialized of all register data. VLF is maintained till it is cleared by zero.

### 13.6. FOUT function

The clock signal can be output via the /IRQ1, /IRQ2 pin.

When stopped the /IRQ2 pin output, the pin becomes the Hi-z.

#### 13.6.1. FOUT control register.

Address h	Function	bit 7	bit 6	bit 5	bit 4	bit 3	bit 2	bit 1	bit 0
1D	Extension Register	FSEL1	FSEL0	USEL	TE	WADA	TSEL2	TSEL1	TSEL0

Address h	Function	bit 7	bit 6	bit 5	bit 4	bit 3	bit 2	bit 1	bit 0
32	IRQ Control	○	-	-	-	○	TMPIN	FOPIN1	FOPIN0

By a combination of FSEL1, FSEL0, an FOUT outputs 32768Hz and 1024Hz and 1Hz and can stop the output.

#### 13.6.2. FOUT function table.

FOUT output pin layout and select the frequency.

FOPIN1	FOPIN0	Output pin	FSEL1	FSEL0	output
0	0	/IRQ2 (CMOS)	0	0	OFF
			0	1	1 Hz Output
			1	0	1024 Hz Output
			1	1	Don't set it
0	1	/IRQ1 (Open-Drain)	0	0	OFF
			0	1	1 Hz Output
			1	0	1024 Hz Output
			1	1	32768 Hz Output

\* At the time of the initial power-on, "0" is set to FSEL1, FSEL0.

Note: The effect of STOP bit to FOUT functions.  
When STOP = "1", 32768Hz output is possible.  
But 1Hz and 1024Hz output is disabled.

### 13.7. Digital offset function

The clock precision can be set ahead or behind. The minimum resolution is  $3.05 \times 10^{-6}$  and it can adjust it in the range of  $+192.3 \times 10^{-6}$  from  $-195.3 \times 10^{-6}$ . **When calculate compensation value from frequency accuracy or clock accuracy, please refer to accuracy after initialized a register by all means.**

#### 13.7.1. Digital offset register

Address	Function	bit 7	bit 6	bit 5	bit 4	bit 3	bit 2	bit 1	bit 0
30h	Digital offset	DTE	L7	L6	L5	L4	L3	L2	L1

- When DTE="1", the digital offset function is enabled.  
When digital offset is enabled, the digital offset register digitally offsets the timekeeper according to the values set for the digital offset register by changing one second of the clock count every 10 seconds.  
The FOUT of 32.768kHz output does not change because the oscillation frequency of a built-in crystal does not change.
- When disabled digital offset, set to DTE = "0". A value of setting of L7 L1 is arbitrary.
- The relationship of the L7~L1 bit and the digital offset value  
When the L7 bit = "0", it is a positive offset, when the L7 bit = "1", it is a negative offset.

Digital offset bits							Offset value ( $\times 10^{-6}$ )
L7	L6	L5	L4	L3	L2	L1	
0	1	1	1	1	1	1	+192.26
0	1	1	1	1	1	0	+189.21
							•
							•
							•
0	0	0	0	0	1	0	+6.10
0	0	0	0	0	0	1	+3.05
0	0	0	0	0	0	0	$\pm 0.00$
1	1	1	1	1	1	1	-3.05
1	1	1	1	1	1	0	-6.10
							•
							•
							•
1	0	0	0	0	0	1	-192.26
1	0	0	0	0	0	0	-195.31

The offset value is shift value for internal real crystal frequency.

- How to calculate the offset value

#### 1) When the offset value is positive:

$$L[7 \sim 1] = [\text{Offset Value}] / 3.05 \quad \text{However, decimals are discarded.}$$

Example calculation: When the offset value is  $+192 \times 10^{-6}$

$$L[7 \sim 1] = 192.26 / 3.05 = 63(\text{dec}) \\ = 0111111(\text{bin}) \text{ is set.}$$

#### 2) When the offset value is negative:

$$L[7 \sim 1] = 128 - [\text{Offset Value}] / 3.05 \quad \text{However, decimals are discarded.}$$

Example calculation: When the offset value is  $-158 \times 10^{-6}$

$$L[7 \sim 1] = 128 - (158 / 3.05) = 76(\text{dec}) \\ = 1001100(\text{bin}) \text{ is set.}$$

#### 3) When calculate from accuracy of a clock

When adjust 30 seconds in 30 days:

$$\text{Example calculation: } 30\text{min.} / 2592000\text{s (30days)} = 11.57 \times 10^{-6}$$

Positive offset

$$L[7 \sim 1] = 11.57 / 3.05 = 4(\text{dec}) \quad \text{However, decimals are discarded.} \\ = 0000100(\text{bin}) \text{ is set.}$$

Negative offset

$$L[7 \sim 1] = 128 - (11.57 / 3.05) = 124(\text{dec}) \quad \text{However, decimals are discarded.} \\ = 1111100(\text{bin}) \text{ is set.}$$

---

---

### 13.7.2. An effect to the other function, when used a digital offset function

Because this function adjusts an internal clock, this function affects a Wakeup timer interrupt function and a FOUT function.

#### 1) FOUT function

- 1Hz setting: Once in 10 seconds, a 1Hz period fluctuates.
- 1024Hz setting: Once in 10 seconds, a 1024Hz period fluctuates.  
\*There is a case that does not change depending on a set content.
- 32.768kHz is not affected.

#### 2) Wakeup timer interrupt function

- 64Hz or 1Hz source clock setting: Once in 10 seconds, a period fluctuates.  
When the setting of the down counter is large, the influence looks small relative.
- 4kHz source clock is not affected.



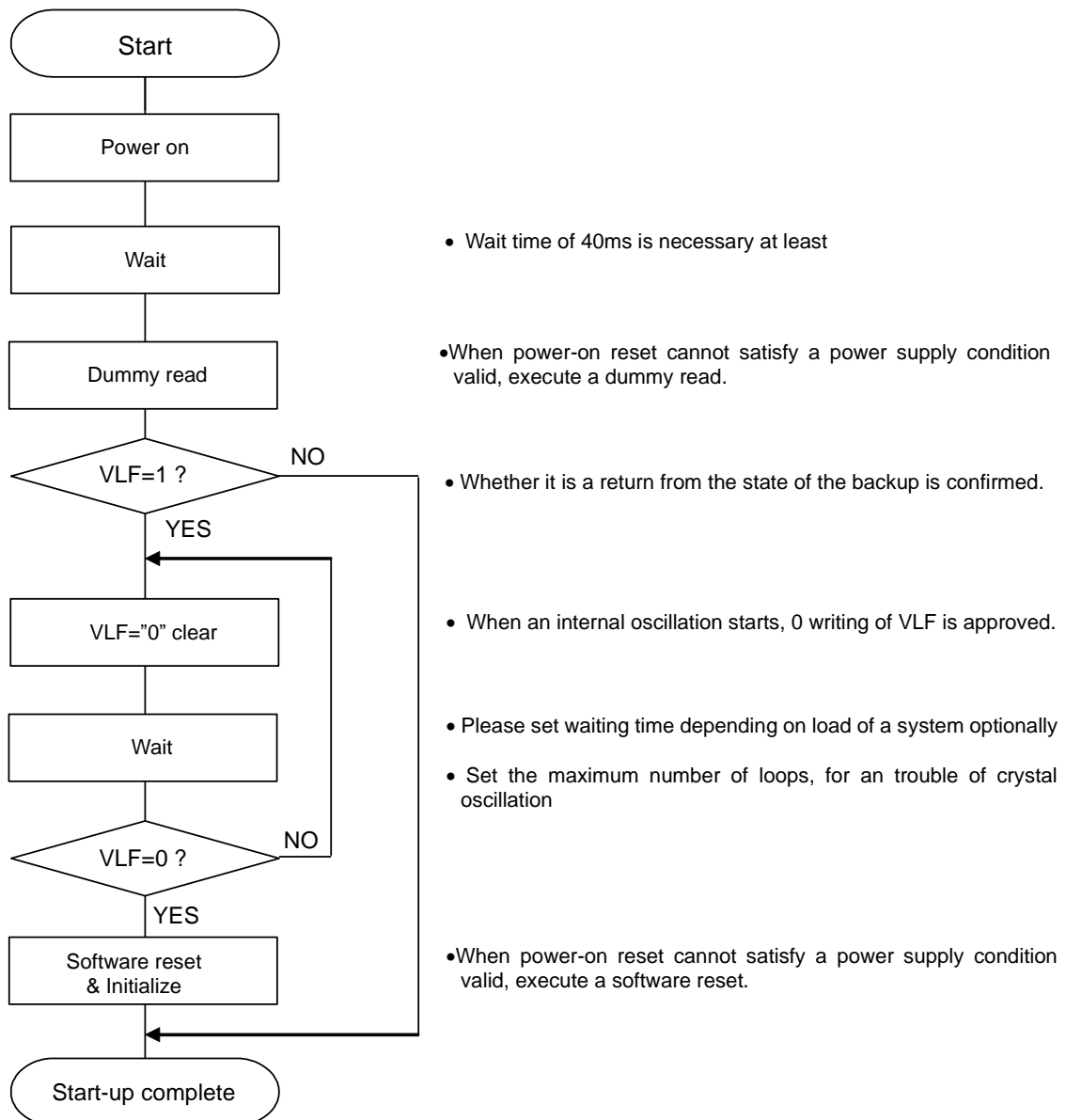
## 14. Flow-chart

The following flow-chart is one instance.

Mention for easy understanding takes precedence over others; therefore there are some inefficient cases for the actual processing. If you wish to take more efficient process, perform some processes at the same time or try to confirm and adjust some part where is no hindered from transposing of operation procedure. (Unnecessary processing may be included in mentioned items according to conditions to use.

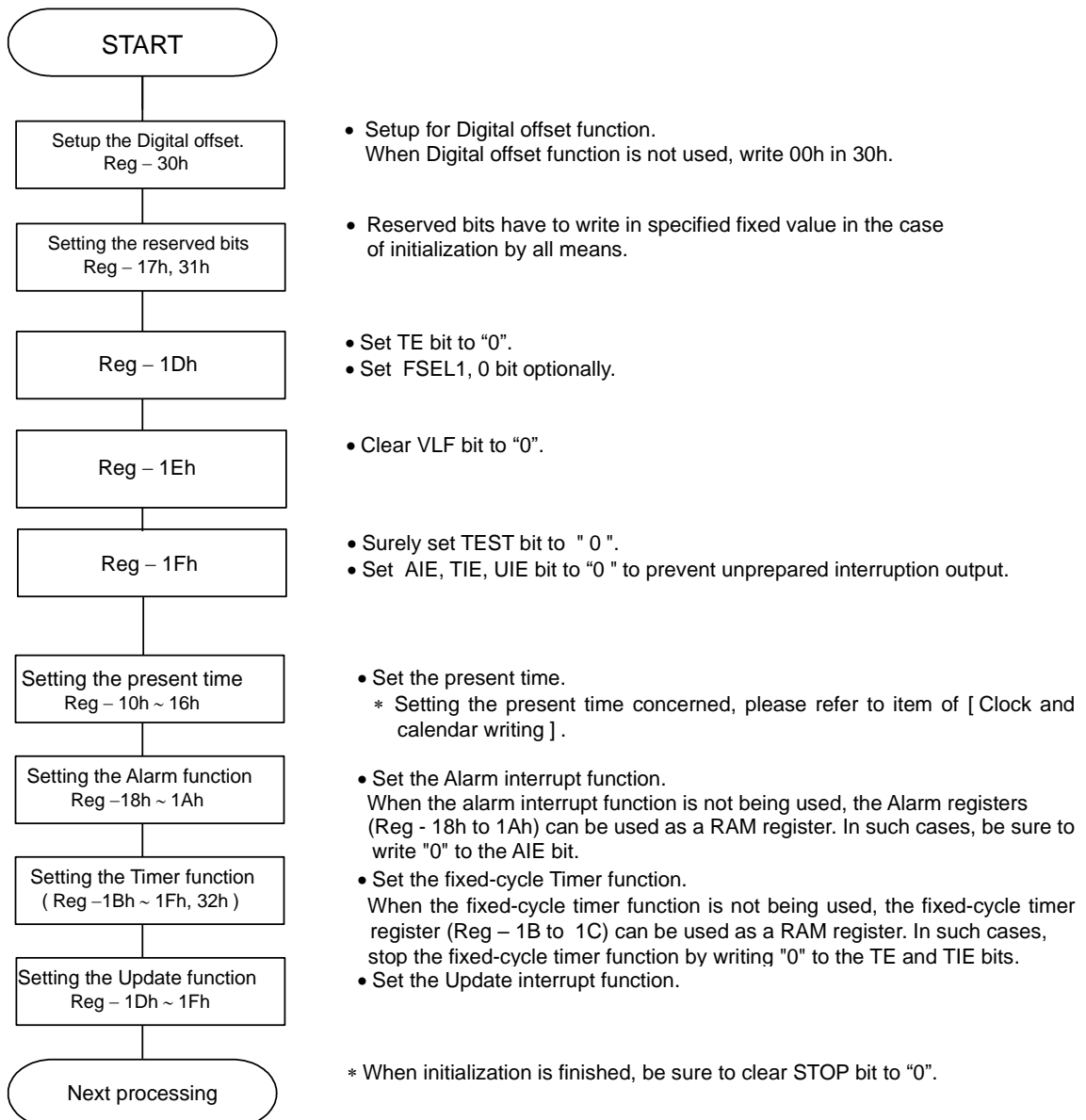
To get movement according to your expectation, please surely adjust according to conditions to use

## 1) Processing example of the power on.

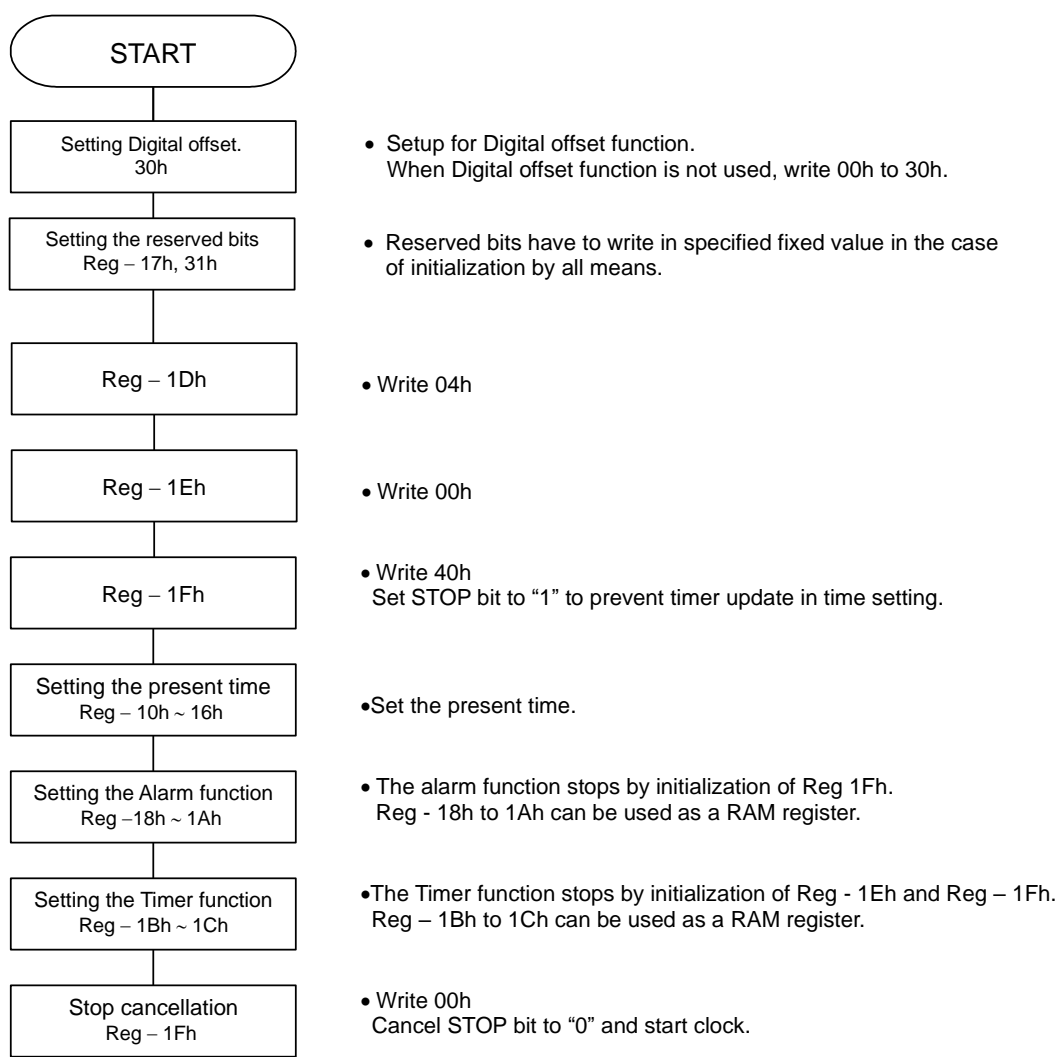


## 2) An example of the initialization

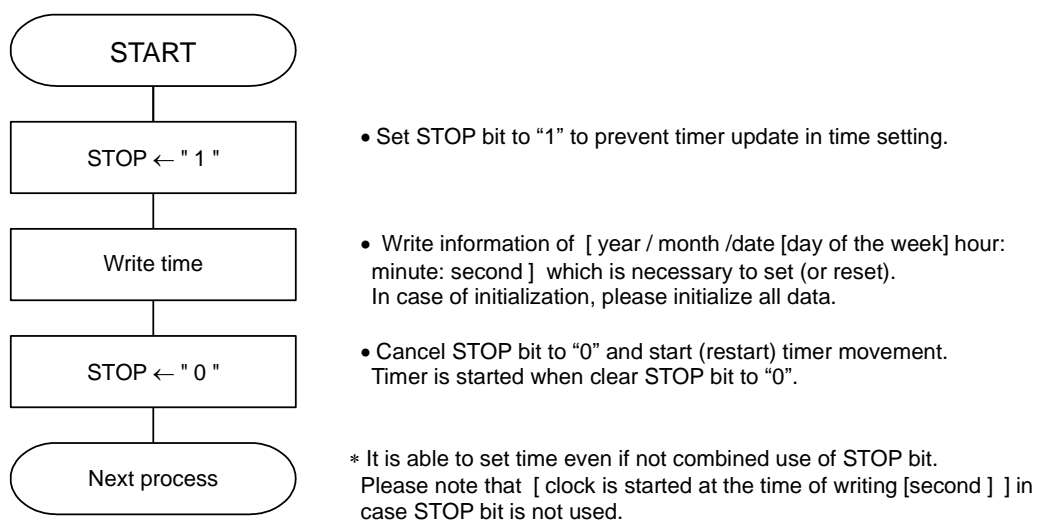
### Ex.1 Initialize



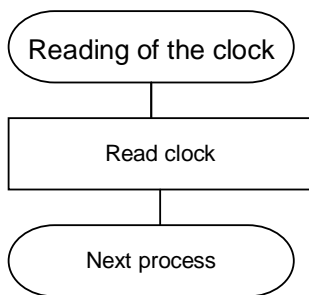
Ex.2 This example is use only for clock functions.



### 3) The setting of a clock and calendar

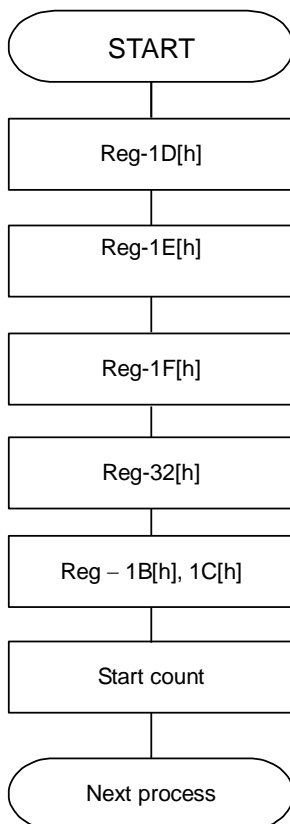


## 4) The reading of a clock and calendar



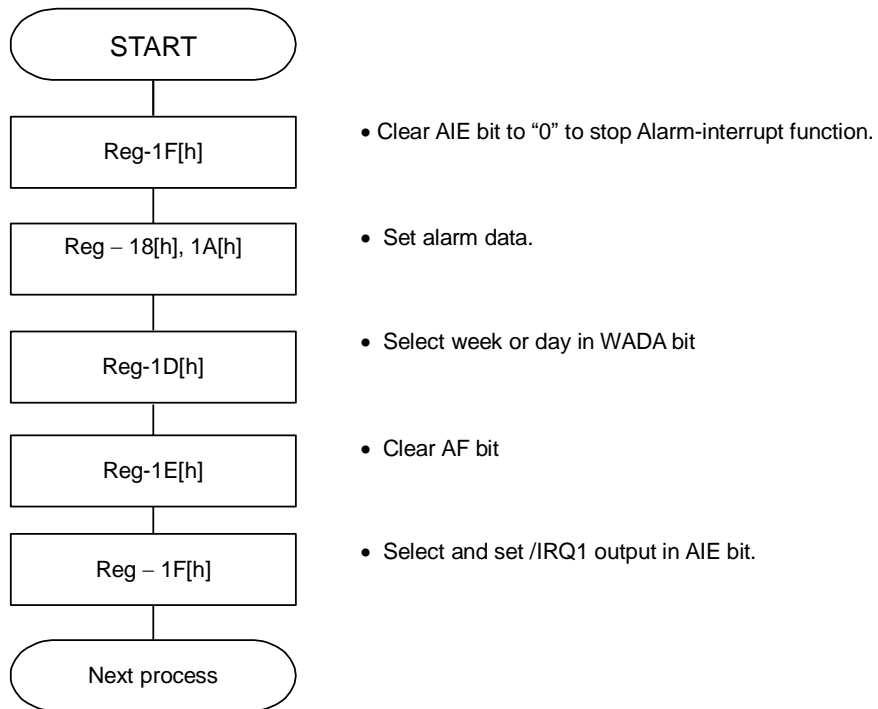
- Please complete access within 0.95 seconds  
The STOP bit holds "0".  
(It causes the clock delay to set STOP bit to "1")
- At the time of a communication start, the Clock & Calendar data are fixed (hold the carry operation), and it is automatically revised at the time of the communication end.
- The access to a clock calendar recommends to have access to continuation by a auto increment function.

## 5) The setting example of the wakeup timer interrupt function



- Clear TE bit to "0" to stop timer-interrupt function.
  - The countdown period is fixed by the combination of the TSEL2, TSEL1, TSEL0 bit.
  - Clear TF bit to "0" to cancel last timer interrupt output (/IRQ output).
  - Select and set /IRQ output  
(if output "L" level interrupt output or not) when event occurs.  
If output "L" level interrupt output, set TIE bit to "1".
  - Select output pin. (/IRQ1 or /IRQ2)
  - Set initial value of down counter.
  - Set TE bit to "1" to start timer interrupt function.  
When start timers interrupt function, please surely set/reset  
(\*implement 2) initial value of down counter in advance.
- \*1 Countdown is suspended with TSTP, "0" → "1" and countdown is performed again with TSTP, "1" → "0"
- \*2 When you want to restart from a pre-set value, please set a TE bit to "1" again after setting a TE bit to "0".

## 6) The setting example of the Alarm interrupt function



## 15. The I<sup>2</sup>C-Bus Interface

### 15.1. Overview of I<sup>2</sup>C-Bus

The I<sup>2</sup>C-Bus supports bi-directional communications via two signal lines: the SDA (data) line and SCL (clock) line. A combination of these two signals is used to transmit and receive communication start/stop signals, data transfer signals, acknowledge signals, and so on.

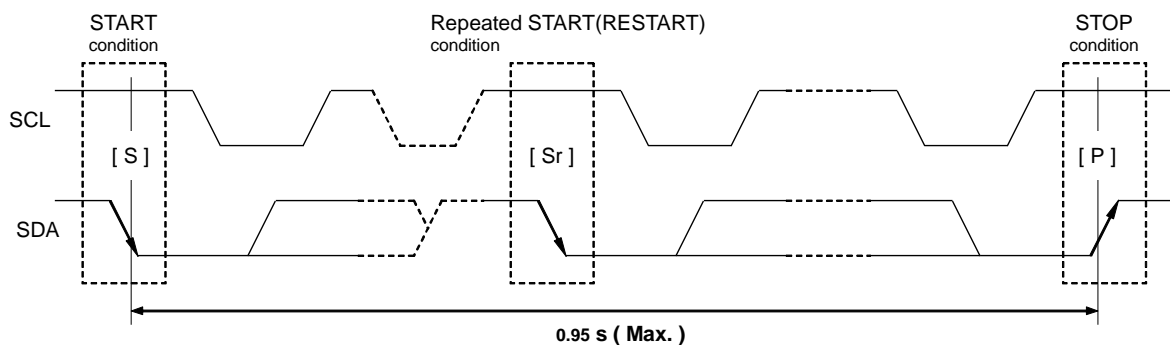
Both the SCL and SDA signals are held at high level whenever communications are not being performed.

The starting and stopping of communications is controlled at the rising edge or falling edge of SDA while SCL is at high level.

### 15.2. Data transfers

Data transfers are performed in 8-bit (1 byte) units once the START condition has occurred. There is no limit on the amount (bytes) of data that are transferred between the START condition and STOP condition. (However, the transfer time must be no longer than 0.95 seconds.)

### 15.3. Start and stop of I<sup>2</sup>C-Bus communications



#### 1) START condition, repeated START condition, and STOP condition

##### (1) START condition

- The SDA level changes from high to low while SCL is at high level.

##### (2) STOP condition

- This condition regulates how communications on the I<sup>2</sup>C -Bus are terminated. The SDA level changes from low to high while SCL is at high level.

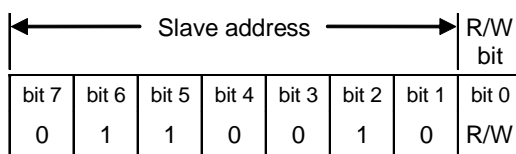
##### (3) Repeated START condition (RESTART condition)

- In some cases, the START condition occurs between a previous START condition and the next STOP condition, in which case the second START condition is distinguished as a RESTART condition. Since the required status is the same as for the START condition, the SDA level changes from high to low while SCL is at high level.

### 15.4. Slave address

The I<sup>2</sup>C-Bus devices do not have any chip select or chip enable pins. All I<sup>2</sup>C-Bus devices are memorized with a fixed unique number in it. The chip selection on the I<sup>2</sup>C-Bus is executed, when the interface starts, the master device send the required slave address to all devices on the I<sup>2</sup>C-Bus. The receiving device only reacts for interfacing, when the required slave address is agreed with its own slave address.

During in actual data transmission, the transmitted data contains the slave address and the data with R/W (read/write) bit.

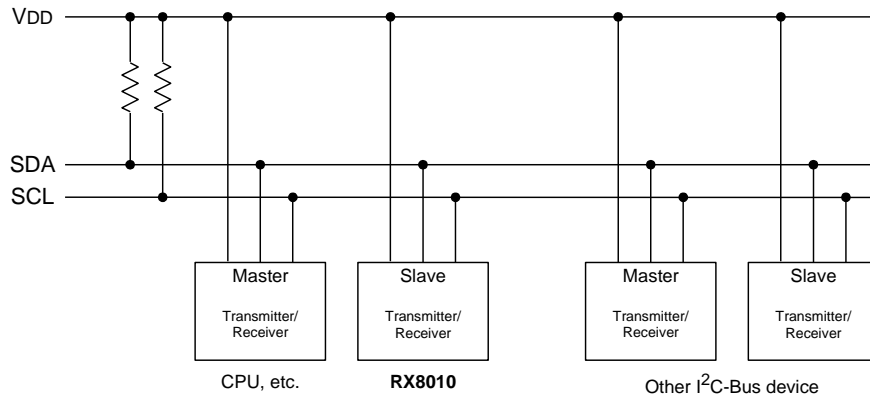


0 when write mode  
1 when read mode

### 15.5. System configuration

All ports connected to the I<sup>2</sup>C-Bus must be either open drain or open collector ports in order to enable AND connections to multiple devices.

SCL and SDA are both connected to the Vio line via a pull-up resistance. Consequently, SCL and SDA are both held at high level when the bus is released (when communication is not being performed).



Any device that controls the data transmission and data reception is defined as a "Master".  
and any device that is controlled by a master device is defined as a "Slave".

The device transmitting data is defined as a "Transmitter" and the device receiving data is defined as a "Receiver".

In the case of this RTC module, controllers such as a CPU are defined as master devices and the RTC module is defined as a slave device. When a device is used for both transmitting and receiving data, it is defined as either a transmitter or receiver depending on these conditions.

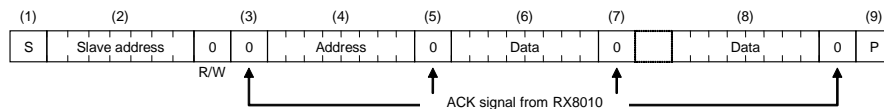
## 15.6. I<sup>2</sup>C-Bus protocol

In the following sequence descriptions, it is assumed that the CPU is the master and the RX8010SJ is the slave.

### 1) Address specification write sequence

Since the RX8010SJ includes an address auto increment function, once the initial address has been specified, the RX8010 increments (by one byte) the receive address each time data is transferred.

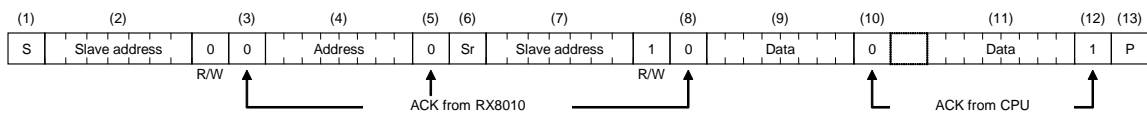
- (1) CPU transfers start condition [S].
- (2) CPU transmits the RX8010SJ's slave address with the R/W bit set to write mode.
- (3) Check for ACK signal from RX8010SJ.
- (4) CPU transmits write address to RX8010SJ.
- (5) Check for ACK signal from RX8010SJ.
- (6) CPU transfers write data to the address specified at (4) above.
- (7) Check for ACK signal from RX8010SJ.
- (8) Repeat (6) and (7) if necessary. Addresses are automatically incremented.
- (9) CPU transfers stop condition [P].



### 2) Address specification read sequence

After using write mode to write the address to be read, set read mode to read the actual data.

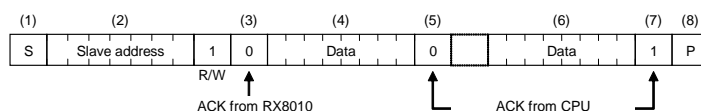
- (1) CPU transfers start condition [S].
- (2) CPU transmits the RX8010SJ's slave address with the R/W bit set to write mode.
- (3) Check for ACK signal from RX8010SJ.
- (4) CPU transfers address for reading from RX8010SJ.
- (5) Check for ACK signal from RX8010SJ.
- (6) CPU transfers RESTART condition [Sr] (in which case, CPU does not transfer a STOP condition [P]).
- (7) CPU transfers RX8010's slave address with the R/W bit set to read mode.
- (8) Check for ACK signal from RX8010SJ (from this point on, the CPU is the receiver and the RX8010SJ is the transmitter).
- (9) Data from address specified at (4) above is output by the RX8010SJ.
- (10) CPU transfers ACK signal to RX8010SJ.
- (11) Repeat (9) and (10) if necessary. Read addresses are automatically incremented.
- (12) CPU transfers ACK signal for "1".
- (13) CPU transfers stop condition [P].



### 3) Read sequence when address is not specified

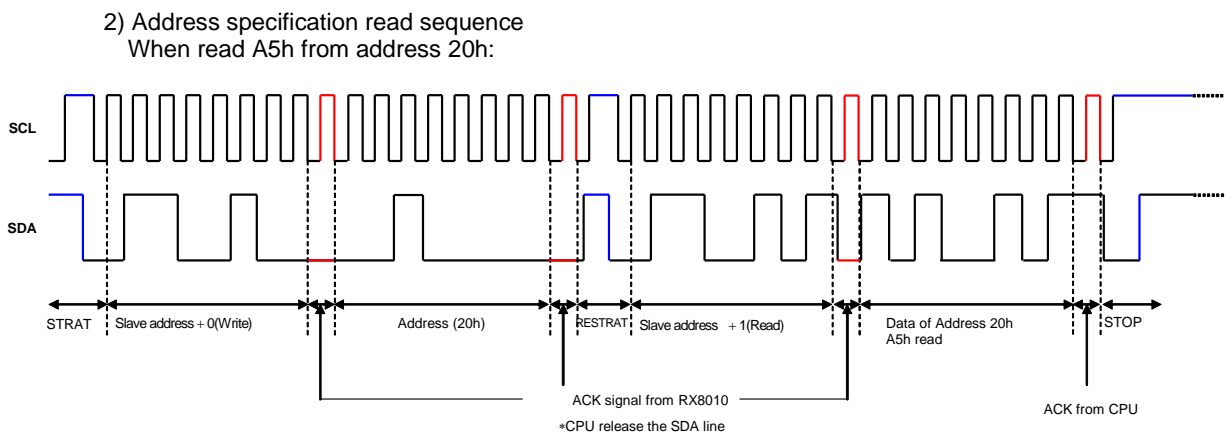
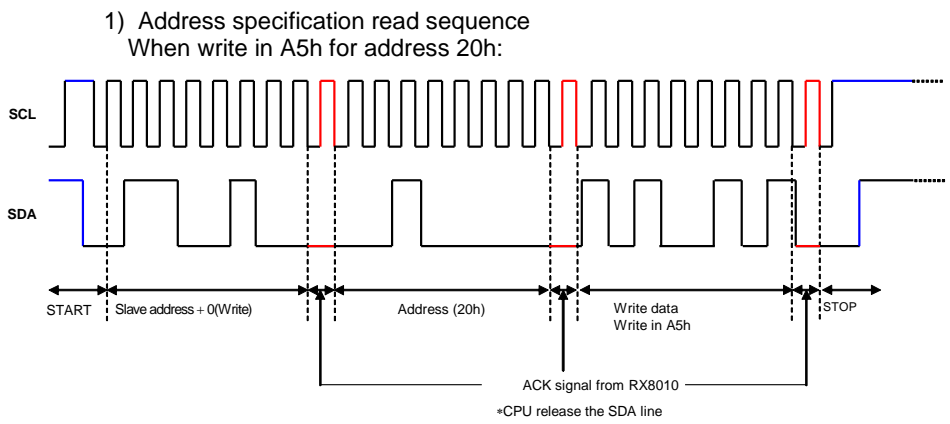
Once read mode has been initially set, data can be read immediately. In such cases, the address for each read operation is the previously accessed address + 1.

- (1) CPU transfers start condition [S].
- (2) CPU transmits the RX8010SJ's slave address with the R/W bit set to read mode.
- (3) Check for ACK signal from RX8010SJ (from this point on, the CPU is the receiver and the RX8010SJ is the transmitter).
- (4) Data is output from the RX8010SJ to the address following the end of the previously accessed address.
- (5) CPU transfers ACK signal to RX8010SJ.
- (6) Repeat (4) and (5) if necessary. Read addresses are automatically incremented in the RX8010SJ.
- (7) CPU transfers ACK signal for "1".
- (8) CPU transfers stop condition [P].





15.7. The example of the communication wave pattern





## Application Manual

Real Time Clock Module

### **RX8010SJ**

#### **America**

---

##### **Epson America, Inc.**

###### **Headquarter**

3131 Katella Avenue Los Alamitos, CA 90720 USA

[www.epson.com/microdevices](http://www.epson.com/microdevices)

###### **San Jose Office**

214 Devcon Drive, San Jose, CA 95112 USA

#### **Europe**

---

##### **Epson Europe Electronics GmbH**

###### **Headquarter**

Riesstrasse 15, 80992 Munich, Germany

[www.epson-electronics.de](http://www.epson-electronics.de)

#### **Asia**

---

##### **Epson (China) Co., Ltd.**

###### **Headquarter**

4F, Tower 1 of China Central Place, 81 Jianguo Street, Chaoyang District, Beijing, 100025 China

[www.epson.com.cn/ed/](http://www.epson.com.cn/ed/)

###### **Shanghai Branch**

High-Tech Building 900, Yishan Road, Shanghai, 200233 China

###### **Shenzhen Branch**

Room.603/604, 6 Floor, Tower 7, One Shenzhen Bay, No.3008 Center Rd, Shenzhen, 518054 China

##### **Epson Hong Kong Ltd.**

Unit 715-723 7/F Trade Square, 681 Cheung Sha Wan Road, Kowloon,

Hong Kong

[www.epson.com.hk](http://www.epson.com.hk)

##### **Epson Taiwan Technology & Trading Ltd.**

15F, No.100, Songren Rd., Sinyi Dist., Taipei City, 11073 Taiwan

[www.epson.com.tw/ElectronicComponent](http://www.epson.com.tw/ElectronicComponent)

##### **Epson Singapore Pte., Ltd.**

Electronic Devices Sales Division Alexandra Technopark Block B, #04-01/04 438B Alexandra Rd, Singapore 119968

[www.epson.com.sg/electronic-devices](http://www.epson.com.sg/electronic-devices)

##### **Epson Korea Co.,Ltd**

10F Posco Tower Yeoksam, Teheranro 134 Gangnam-gu, Seoul, 06235, Korea

[www.epson.co.kr](http://www.epson.co.kr)

##### **Electronic devices information on WWW server**

[www5.epsondevice.com/en/](http://www5.epsondevice.com/en/)