

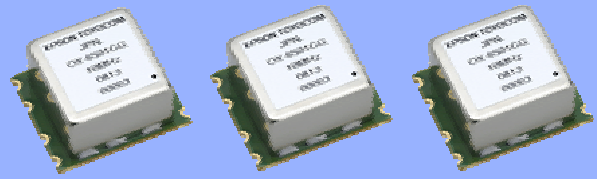
Oven Controlled Crystal Oscillator (OCXO)

OX-6501GG series

- Features : Low profile full SMD package
- : Very fast warm-up and accurate stability
- : IPC/JEDEC J-STD-020C reflowable
- : SC-Cut Crystal unit



Product number (please contact us)



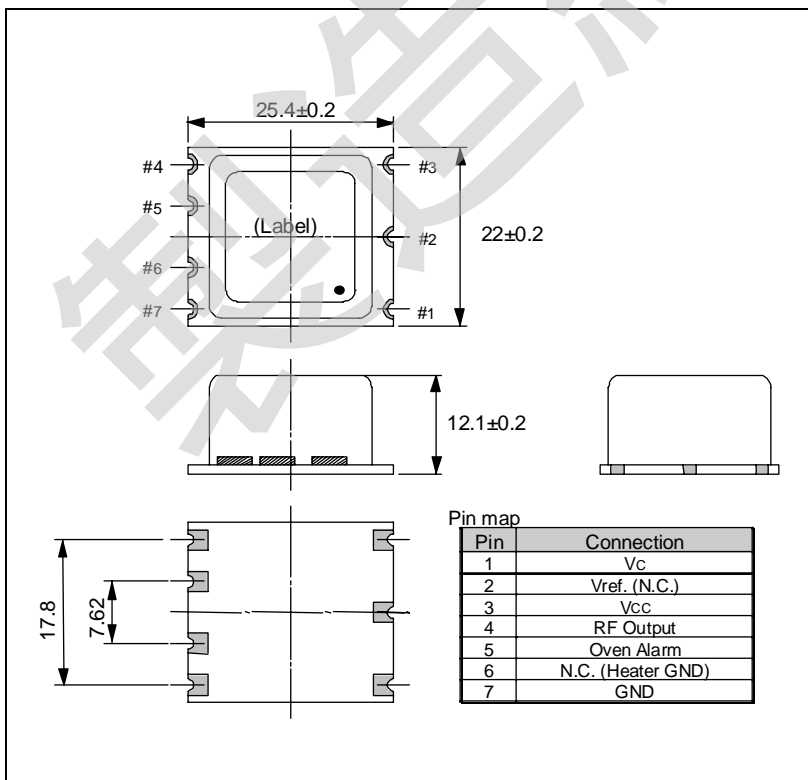
NEW

Specifications (characteristics)

Item	Symbol	Specifications		
Output frequency range	fo	10.000 MHz to 40.000 MHz		Standard frequency
		10 MHz, 30.72 MHz		
Supply voltage	Vcc	3.3 V ±0.165 V	5.0 V ±0.25 V	
Storage temperature range	T_stg	-40 °C to +85 °C		During transportation only. Long term storage : Room temperature.
Operating temperature range	T_use	-10 °C to +70 °C		
Frequency/temperature characteristics	fo-Tc	±2.5 × 10 ⁻⁸ Max.		-10 °C to +70 °C
Frequency/voltage coefficient	fo-Vcc	±5 × 10 ⁻⁹ Max. OP.: ±2 × 10 ⁻⁹ Max.		Vcc=3.3 V ±0.165 V Vcc=5.0 V ±0.25 V
Frequency aging	f_age	±1 × 10 ⁻⁸ / dayMax. OP.: ±1 × 10 ⁻⁹ / dayMax. ±1 × 10 ⁻⁷ / year Max. OP.: ±3 × 10 ⁻⁸ / year Max.		
Warm-up	—	±5 × 10 ⁻⁸ / 5 min Max.		+25 °C
Current consumption	Warm-up	750 mA Max.	600 mA Max.	at +25 °C
	Steady state	300 mA Max.	200 mA Max.	
Frequency control range	f_cont	±1 × 10 ⁻⁶ Min.		Vc=1.4 V±1.4 V, Vc=2.0 V±2.0 V
Symmetry	SYM	45 % to 55 %		(V _{OH} - V _{OL})/2
High output voltage	V _{OH}	2.4 V Min.	2.8 V Min.	CMOS
Low output voltage	V _{OL}	0.4 V Max.	0.4 V Max.	
Load resistance	Load_R	10 kΩ		
Load capacitance	Load_C	15 pF		
Weight	—	10 g Max.		

External dimensions

(Unit:mm)



Footprint (Recommended)

(Unit:mm)

