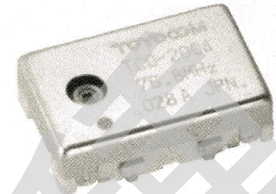


**Product Data (VCXO)**

**TCO-2000 Series**

**Features**

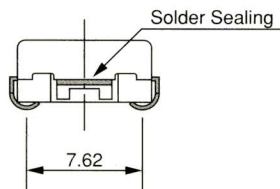
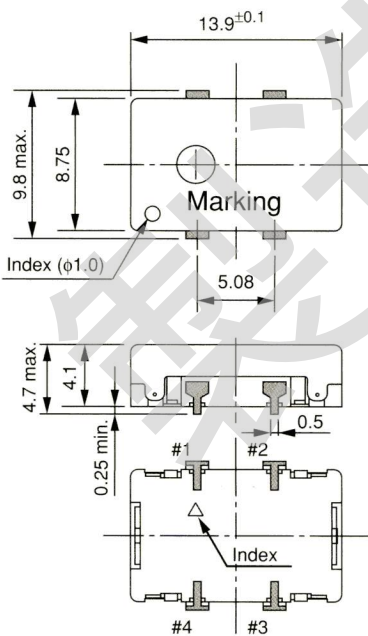
- Surface mountable
- Wide frequency control range



**Specifications**

Type	TCO-2001A	TCO-2002A	TCO-2003A	TCO-2004A
Standard frequency	32.768, 44.736, 51.84, 77.76 MHz			
Supply voltage	+5 V±5%	+3.3 V±5%	+5 V±5%	+3.3 V±5%
Supply current	30 mA Max.			
Output level	TTL compatible / Fanout-2		CMOS / 15 pF Max.	
Frequency stability	vs Temperature ±30 ppm Max. / -40 to +85°C (referred to +25°C)			
	vs Supply voltage ±5 ppm Max. / +5 V±5%	±5 ppm Max. / +3.3 V±5%	±5 ppm Max. / +5 V±5%	±5 ppm Max. / +3.3 V±5%
	Aging ±5 ppm Max. / year			
Frequency control range	±100 ppm Min. / +2.5 V±2 V	±100 ppm Min. / +1.65 V±1.65 V	±100 ppm Min. / +2.5 V±2 V	±100 ppm Min. / +1.65 V±1.65 V
Frequency range	8 to 78 MHz			

**External Dimensions [mm]**



Pin connections

#1	Vcont
#2	GND
#3	Output
#4	Vcc

**Footprint [mm]**

