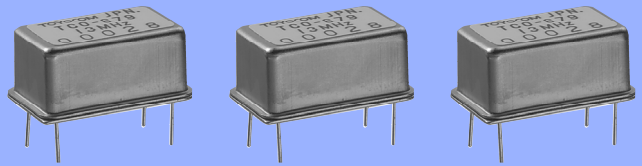


Oven Controlled Crystal Oscillator (OCXO)

TCO-679

- Features : DIP-14pin package
- : Very fast warm-up
- : SC-Cut Crystal unit
- Lead(Pb)-free : Contains Pb in this product exempted by RoHS directive.

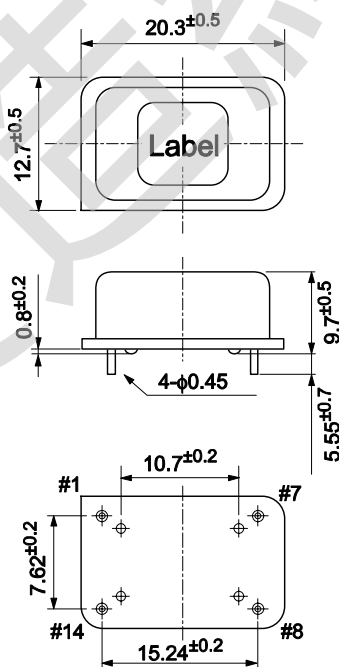


Specifications (characteristics)

Item	Symbol	Specifications	
Output frequency range	f _o	10 MHz to 20 MHz	
Standard frequency		10 MHz, 13 MHz	
Supply voltage	V _{cc}	5 V ±0.25 V	12 V ±0.6 V
Storage temperature range	T _{stg}	-20 °C to +80 °C	
Operating temperature range	T _{use}	0 °C to +70 °C	
Frequency/temperature coefficient	Fo-Tc	±1 × 10 ⁻⁷ Max. / 0 °C to +70 °C	
Frequency/voltage coefficient	Fo-Vcc	±1 × 10 ⁻⁷ Max. / V _{cc} =5 V ±0.25 V	±1 × 10 ⁻⁷ Max. / V _{cc} =12 V ±0.6 V
Frequency aging	F _{aging}	±5 × 10 ⁻⁸ / day Max., ±5 × 10 ⁻⁷ / year Max.	
Warm-up	—	±5 × 10 ⁻⁷ / 5 min Max. (+25 °C)	
Output load condition	Load _R	10 kΩ	
	Load _C	15 pF Max.	
Current consumption	Warm-up	380 mA Max.	160 mA Max.
	Steady state at +25 °C	160 mA Max.	70 mA Max.
Frequency control range	Fcont	±5 × 10 ⁻⁶ Min. / V _c =2.5 V ±2.5 V	±5 × 10 ⁻⁶ Min. / V _c =4.5 V ±4.5 V
Weight	—	10 g Max.	

External dimensions

(Unit:mm)



Pin map

#1	V _c
#7	GND/case
#8	Output
#14	V _{cc}