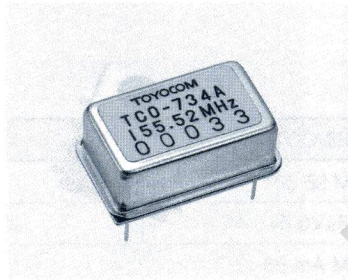


Product Data (VCXO)

TCO-734A, 735 Series

Features

- Fundamental mode oscillator (HFF-VCXO)
- Wide frequency control range
- DIP-14 pin type package

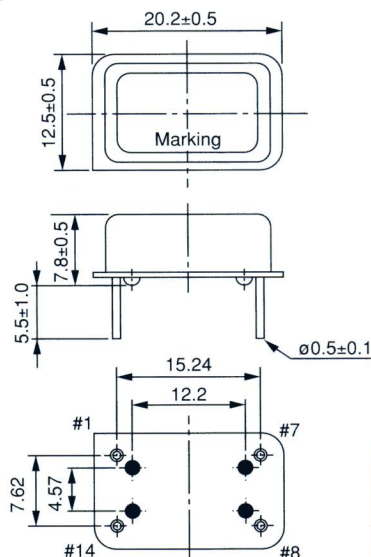


Specifications

Type	TCO-734A	TCO-735A	TCO-735B	TCO-735C
Standard frequency	155.52 MHz			
Supply voltage	+3.3 V±5 % or +5.0 V±5 %	+3.3 V±5 %	+5.0 V±5 %	-5.2 V±5 %
Supply current	25 mA Max		65 mA Max	
Output level	0 dBm Min/50 Ω	Low-Voltage ECL	Positive ECL	ECL
Frequency stability	vs Temperature ±30 ppm Max/-40~+85 °C (referred to +25°C)			
	vs Supply voltage ±5.0 ppm Max/+5.0 V±5 % or /+3.3 V±5 %	±5.0 ppm Max /+3.3 V±5 %	±5.0 ppm Max/+5.0 V±5 %	±5.0 ppm Max/-5.2 V±5 %
	Aging ±5.0 ppm/year			
Frequency control range (Voltage : Straight polarity)	±100 ppm Min/V		±50 ppm Min/V	
Frequency control voltage	+2.5 V±2.0 V or +1.65 V±1.65 V	+1.65 V±1.65 V	+2.5 V±2.0 V	
Available frequency range	50~155.52 MHz			

Outline Drawing [mm]

[TCO-734A, 735A, B, C]



Pin connections

1	Vcont
7	GND/case
8	Output
14	Vcc