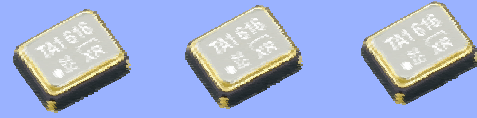


TCXO ULTRA MINIATURE SIZE LOW PROFILE HIGH STABILITY TG - 5025CG

- Frequency range : 13 MHz to 52 MHz
- Supply voltage : 1.8 V Typ.
- Frequency / temperature characteristics : $\pm 0.5 \times 10^{-6}$ Max.
- External dimensions: 2.5 × 2.0 × 0.8 t (mm) Typ.
- Applications : Cellular phone (GPS)
- Features : High stability
: Low supply voltage (1.8 V)



Product Number (Please contact us)
X1G002771xxxx00



Actual size

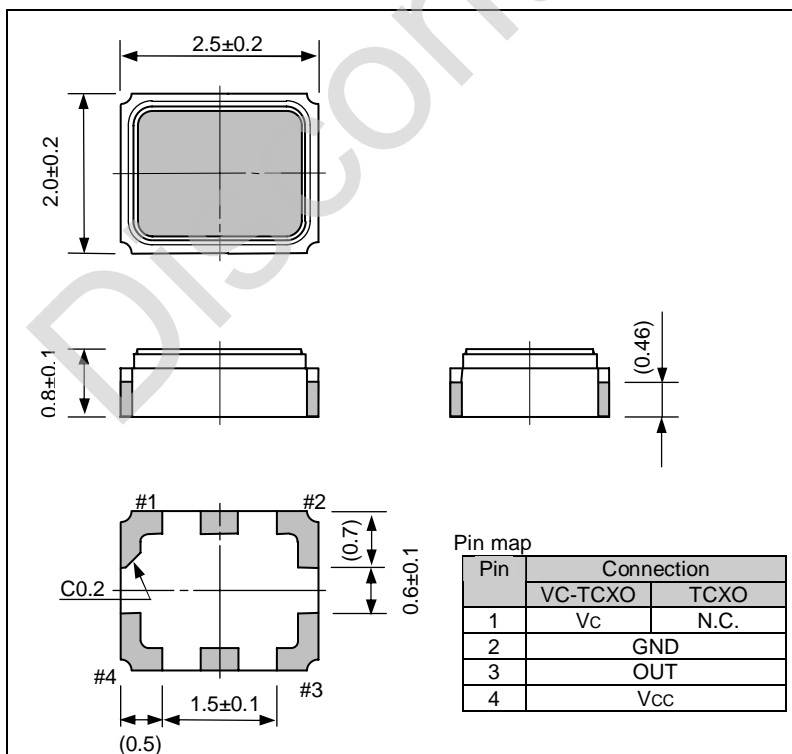
Specifications (characteristics)

Item	Symbol	Specifications		Remarks
		VC-TCXO	TCXO	
Output frequency range	f _o	13.000 MHz to 52.000 MHz 13 MHz, 16.368 MHz, 19.2 MHz, 26 MHz, 27.456 MHz, 38.4 MHz		Standard frequency
Supply voltage	V _{cc}	1.8 V ± 0.1 V		Supply voltage range : 1.7 V to 3.3 V
Temperature range	Storage temperature	T _{stg}	-40 °C to +85 °C	Store as bare product after unpacking
	Operating temperature	T _{use}	-30 °C to +85 °C	
Frequency tolerance	f _{tol}	±2.0 × 10 ⁻⁶ Max.		After reflow V _c =0.9 V, +25 °C
Frequency/temperature characteristics	f _o -T _c	±0.5 × 10 ⁻⁶ Max.		-30 °C to +85 °C
Frequency/load coefficient	f _o -Load	±0.2 × 10 ⁻⁶ Max.		10 kΩ // 10 pF ±10 %
Frequency/voltage coefficient	f _o -V _{cc}	±0.2 × 10 ⁻⁶ Max.		V _{cc} =1.8 V ± 0.1 V
Frequency aging	f _{age}	±1.0 × 10 ⁻⁶ Max.		+25 °C, First year, 13 MHz f _o 40 MHz
		±1.5 × 10 ⁻⁶ Max.		+25 °C, First year, 40 MHz < f _o 52 MHz
Current consumption	I _{cc}	2.0 mA Max.		13 MHz f _o 40 MHz
		2.5 mA Max.		40 MHz < f _o 52 MHz
Input resistance	R _{in}	500 kΩ Min.	—	V _c - GND (DC)
Frequency control range	f _{cont}	±5.0 × 10 ⁻⁶ to ±12.0 × 10 ⁻⁶	—	V _c =0.9 V ± 0.6 V
Frequency change polarity	—	Positive polarity	—	
Symmetry	SYM	40 % to 60 %		GND level (DC cut)
Output voltage	V _{pp}	0.8 V Min.		Peak to peak
Output load condition	Load _R	10 kΩ		DC cut capacitor = 0.01 μF
	Load _C	10 pF		

* Note : Please contact us for inquiries about specifications other than the above.

External dimensions

(Unit:mm)



Footprint (Recommended)

(Unit:mm)

